

## EVOLUTION VISION<sup>65F</sup> & 65FM

Evolution Vision<sup>65F</sup> & Evolution Vision<sup>65FM</sup> are the first products of our new welding helmet family, with the best-in-class clarity, an ultra high definition LCD and our well-proven true-color technology combined with an auto-shade function (only Evolution Vision<sup>65FM</sup>).

### Evolution Vision<sup>65F</sup>



#### Product Features

- » Flip-up welding helmet in glossy blue finish
- » High-impact and heat-resistant nylon shell
- » ADF (Auto-Darkening-Welding Filter):
  - » Open state: 3
  - » Manual shade adjustment: 4-8/9-14
  - » 65 x 96 mm viewing area
  - » UHD display - CE classification 1/1/1/1
  - » Digital display and easy ADF setting
- » New multi-adjustable headgear
- » Clear grinding lens with a wide viewing area

### Evolution Vision<sup>65FM</sup>

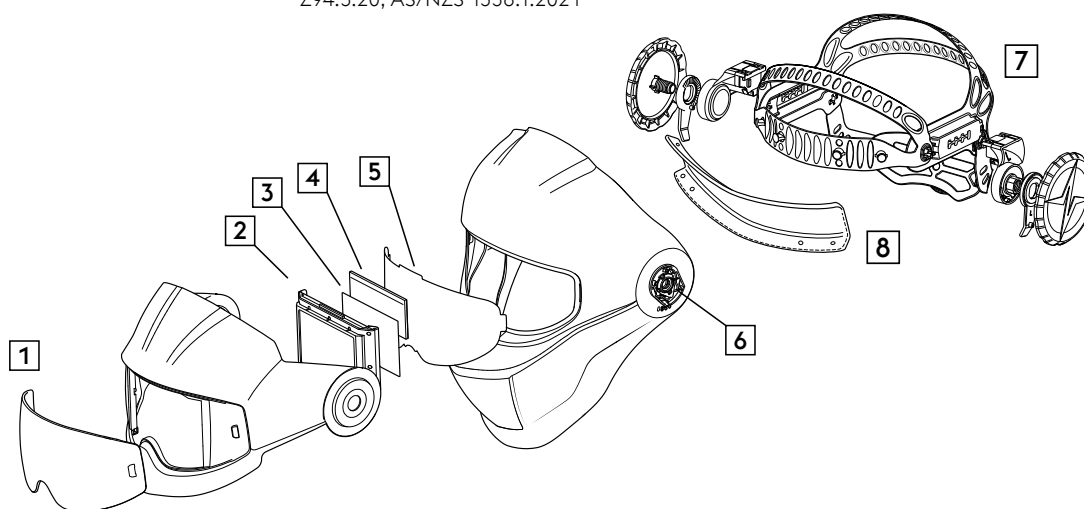


#### Product Features

- » Flip-up welding helmet in matt blue finish
- » High-impact and heat-resistant nylon shell
- » ADF (Auto-Darkening-Welding Filter):
  - » Open state: 3
  - » Manual shade adjustment: 4-8/9-14
  - » Auto-shade-mode (+/- 2 shade level adjustment)
  - » 65 x 96 mm viewing area
  - » UHD display - CE classification 1/1/1/1
  - » Digital display and easy ADF setting
- » New multi-adjustable headgear
- » Clear grinding lens with a wide viewing area

# EVOLUTION VISION ABDUNKELUNGSKASSETTE

Open state + Shade range	3 / 4-8 / 9-14
Auto-shade (Evolution Vision <sup>65FM</sup> only)	Yes (+/- 2 individual adjustment)
Display - Opt. Class	Ultra-high-definition display - 1/1/1/1
Color	True color technology
Viewing area (Display)	96 x 65 mm
Viewing area (grinding visor)	180 x 90 mm
Working temp. range	-5 °C to +55 °C
Battery type	CR2450
ADF on/off	ON – button press OFF – auto off after 30 min or button press
Certification	CE; UKCA; ANSI / ISEA Z87.1-2020; CSA Z94.3:20; AS/NZS 1338.1:2021



## SPARE PARTS:

No.	Art. No.	Article Name
1	87132	Front Cover Lens (pack of 5 pcs)
2	87137	ADF Evolution Vision <sup>65F</sup>
2	87135	ADF Evolution Vision <sup>65FM</sup> (auto-shade)
3	87131	Inner Cover Lens (pack of 2 pcs)
5	87133	Grinding Visor (pack of 2)
7	87134	Headgear - Evolution Vision
8	87136	Sweatband - Evolution Vision

No.	Art. No.	Article Name
4	32444	Diopter 1.0
4	32445	Diopter 1.5
4	32452	Diopter 2.0
4	32456	Diopter 2.5
6	87138	Spring kit - Evolution Vision
*	32517	Battery ADF CR2450
*	87139	Böhler Pouch (black)

## DELIVERY SCOPE:

		Art. No.	MOQ*
Evolution Vision <sup>65F</sup>	» Fully assembled helmet » 1 spare battery CR2450 » 5 spare front cover lens » 1 Böhler Helmet Pouch » All In a branded box	87127	1 PCE
Evolution Vision <sup>65FM</sup>		87130	1 PCE