



A GLOBAL PROVIDER OF ENHANCED THERMAL CUTTING SOLUTIONS

# EX-TRACK<sup>®</sup>

PORTABLE CUTTING SYSTEMS, TABLES AND FILTRATION UNIT CATALOG



THERMACUT<sup>®</sup> - THE CUTTING COMPANY<sup>®</sup>

WWW.THERMACUT.COM  
SALES@THERMACUT.COM

# TABLE OF CONTENT

# A PART OF THERMACUT® PORTFOLIO

## PORTABLE CUTTING SYSTEMS

EX-TRACK® CNC	3-6
EX-TRACK® MP1	7-8
EX-TRACK® MA1 & MA2	9-10
EX-TRACK® PA1	11-12

## CUTTING TABLES

EX-TRACK® water cutting table 2000x1000 mm	13-14
HERR® water cutting table 3200x1600 mm	15-16
HERR® downdraft cutting table 3200x1600 mm	17-18

## EXHAUSTING UNITS

Exhausting system	19-20
-------------------	-------

## OTHER WORKING TABLES

Hand cutting and welding tables	20
Grinding tables	21



WWW.THERMACUT.COM  
SALES@THERMACUT.COM

**THERMACUT® is one of the world's leading specialists for reliable, high-performance and cost-effective plasma, oxy-fuel and laser cutting solutions.**

One of its main areas of expertise is optimizing original consumables, torches and cable leads to make them more durable, reliable and cost-effective. The company boasts a unique product portfolio in terms of both its width and depth. It also focuses on innovative and particularly high-performance plasma cutting systems with an outstanding price-performance ratio, which set new standards in the market. In its development and production activities, THERMACUT® makes the most of more than 30 years of experience as a reliable partner for high-quality consumables and powerful system solutions.

# EX-TRACK<sup>®</sup> CNC

PORTABLE CUTTING SYSTEM

CUTTING UP TO 35 MM WITH PLASMA CUTTER

CUTTING UP TO 100 MM WITH OXY-FUEL TORCH

The EX-TRACK<sup>®</sup>CNC portable cutting system is easy to move and thanks to simple installation, can be set-up wherever you need to cut. Dual guidance along the rail ensures the stability of the CNC unit for accurate cutting in both plasma and oxyfuel applications. A simple change to the cutting mode gives the EX-TRACK<sup>®</sup>CNC flexibility cutting different thicknesses of materials. It is possible to have both types of torches installed on the device at the same time (only one can be used at the time). To change the cutting mode, simply swap the plasma torch to an oxy-fuel torch, set a few parameters in the CNC and start cutting. The quality of the workpieces in plasma cutting is enhanced by the automatic height control of the torch, which is crucial for the quality and perpendicularity of the edges.

The unit features an integrated torch protection function against collision, integrated nesting function (multiplication of the same shape to be cut directly in the CNC), setting of different speeds for cutting holes and external shapes, internal library with fifty editable shapes, 4 GB internal memory for your cutting programs and integrated database of cutting parameters - all reasons to purchase an EX-TRACK<sup>®</sup>CNC portable system.

## SPECIFICATIONS

- INPUT VOLTAGE (VAC)** 230 V or 120 V, 50/60 HZ, 180 W, 0.5 A
- MAX. POSITION SPEED** up to 3 000 mm/min (118 ipm)
- VERTICAL STROKE** 100 mm (4 inch) with motorized lifter
- OXY-FUEL CUTTING RANGE** up to 100 mm (4 inch)
- PLASMA CUTTING RANGE** up to 35 mm (1 3/8 inch)
- CNC INTERFACE** yes
- TORCH HEIGHT CONTROL** arc voltage height control
- CUTTING AREA** 3 050 × 1 525 mm (10 × 5 ft) / 2000 × 1 000 mm (3.28 × 6.56 ft)
- TORCH INCLUDED** yes / oxy-fuel
- NESTING SOFTWARE** yes / included
- PACKAGING** 2 boxes
- TOTAL WEIGHT** 165/140 kg



COMPACT  
PORTABLE  
ECONOMICAL

## ORDERING INFO FOR EX-TRACK<sup>®</sup> CNC WITH STANDARD OXY-FUEL TORCH

Description	Configuration	Part No.
EX-TRACK <sup>®</sup> CNC 1 525 × 3 050/230 VAC/CE/PA-ready/OXY	with oxy-fuel torch	EX-0-707-002
EX-TRACK <sup>®</sup> CNC 1 000 × 2 000/230 VAC/CE/PA-ready/OXY	with oxy-fuel torch	EX-0-707-003

## EX-TRACK® OXY-FUEL UPGRADE KIT

- Integrated manometers achieve enhanced precision in gas pressure settings
- High performance cutting
- Special o-rings prevent mixing of gas
- Quick-change system
- Changeable injector
- Separate parts (torch + valves + manometers)
- Possibility to cut with propane or acetylene
- Consumables line : MESSER® GRICUT® 9230-PMYF (propan) and VADURA® 9215A (acetylene)  
(for ordering info please check our OXY-FUEL catalog)

For more info check the operator manual.



### CONTENT OF THE KIT

- EX-TRAFLEME® PRO torch
- 5pcs cutting nozzle 25-40 mm
- 1 pc heating nozzle 3-100 mm
- Operator manual



## EX-TRACK® DISPLAY PROTECTION COVER

Say goodbye to the burnt and dusty display of the CNC unit. The spray of molten material with a temperature of up to 2 500 °C can destroy the display and keyboard of your CNC unit during burning. A damaged display is then difficult to read, and settings on a burnt keyboard can be an operator's nightmare. Our transparent cover made of 3 mm plexiglass can protect the keyboard and display and thus save a lot of money when replacing it.

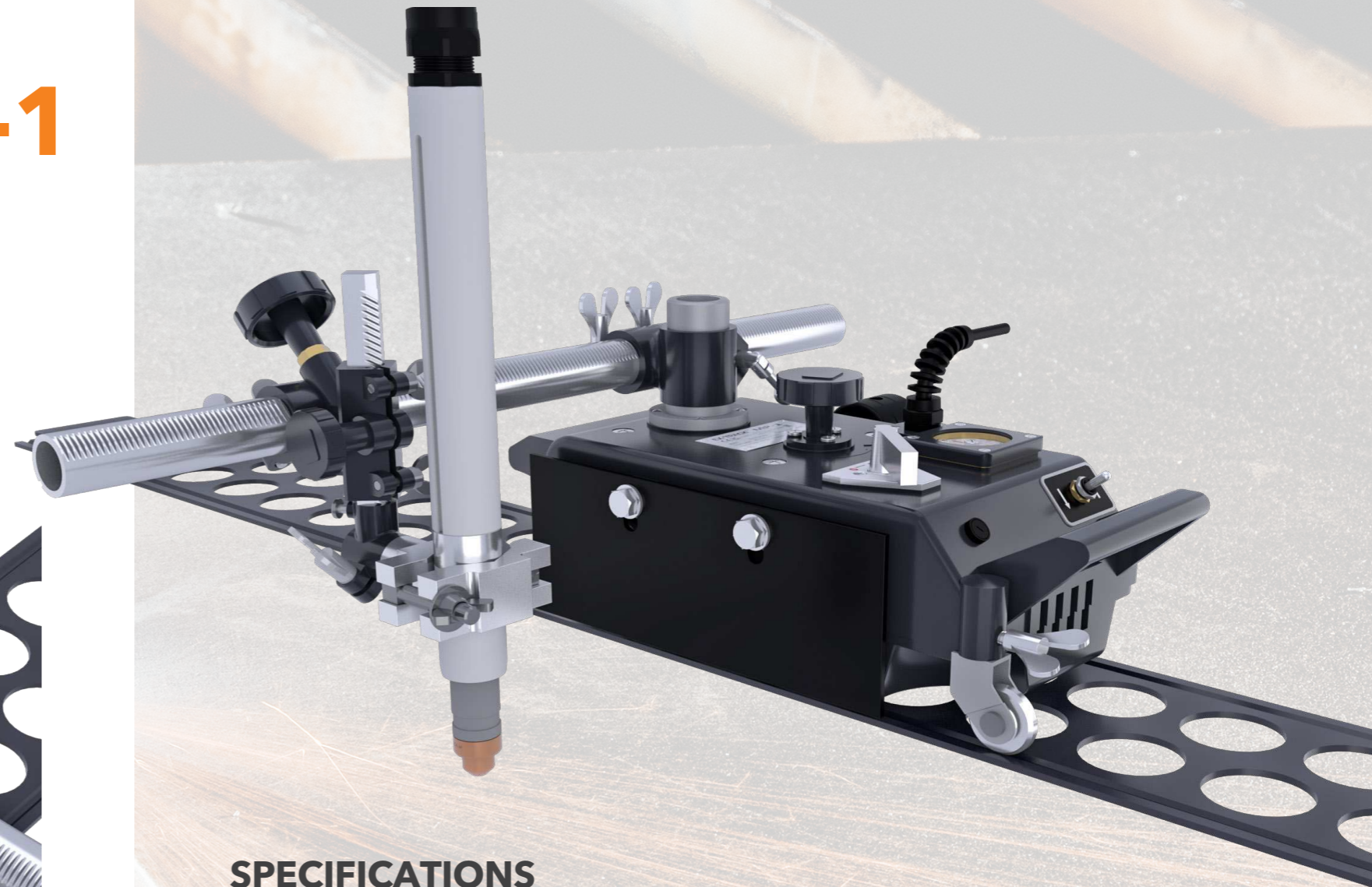
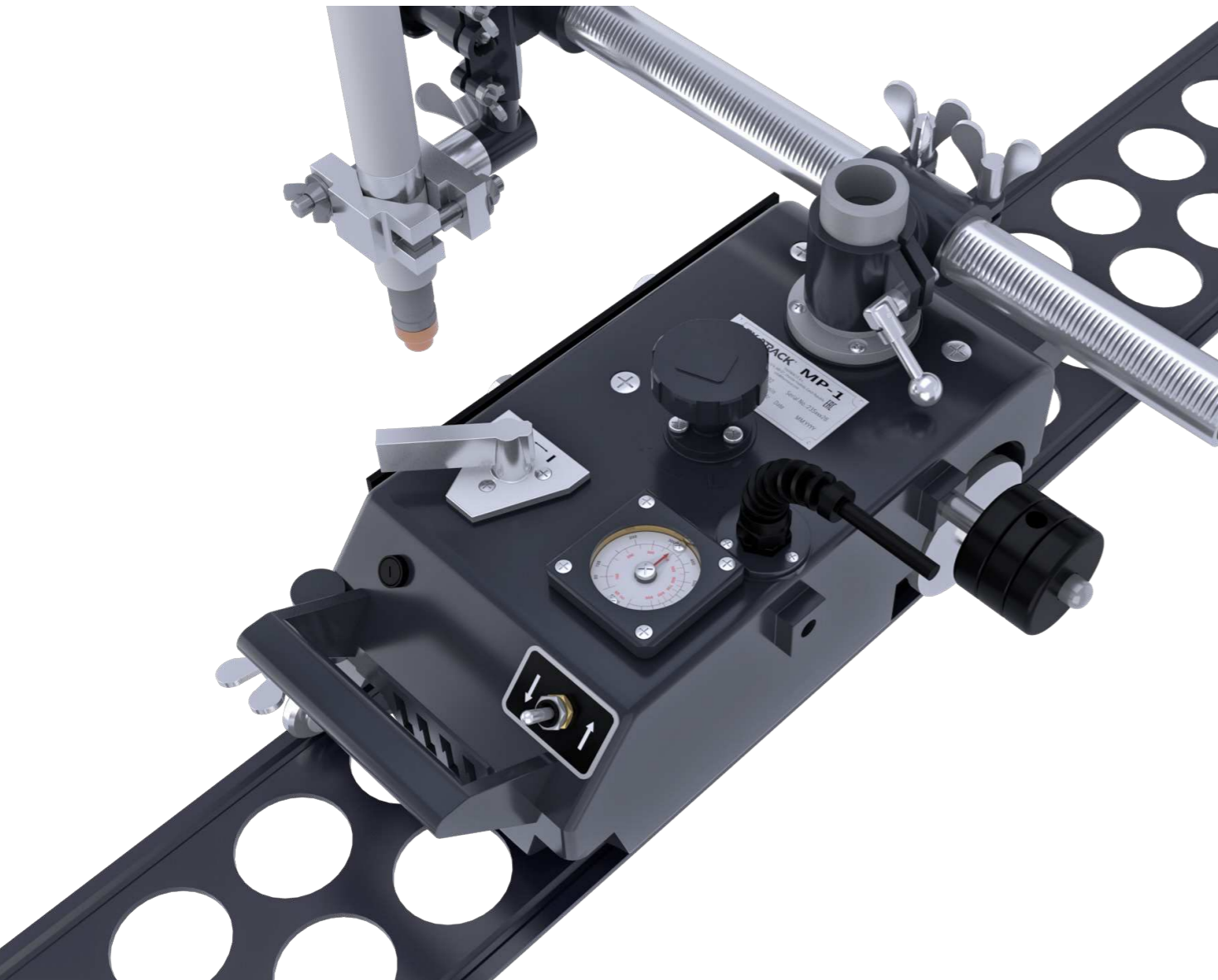


### ORDERING INFO

Description	Part No.
EX-TRACK® oxy fuel upgrade kit	EX-0-717-001
Display protection cover polycarbonate 3 mm	EX-0-717-002

# EX-TRACK<sup>®</sup> MP-1

**EX-TRACK<sup>®</sup> MP-1** is a portable plasma cutting tractor designed for cutting strips, performing bevels, or cutting circles with the flexibility to set a stable cutting speed and movement direction. These customizable settings help provide excellent cut quality. The machine includes two straight rails, each measuring 1.8 m in length. For longer cuts, additional rails can be ordered separately. The circle rail allows cutting circles of various diameters. Paired with our EX-TRAFIRE<sup>®</sup> plasma power supplies, you'll have a plug-and-play cutting solution for efficient and precise operations.



## SPECIFICATIONS

- INPUT VOLTAGE** 230 V AC / 50 Hz
- DIMENSIONS** 440 × 205 × 125 mm
- WEIGHT** 9 kg
- CUTTING SPEED** 80-2 400 mm /min
- POSSIBLE CUTTING THICKNESS** 5-40 mm of Mild steel
- BEVELING** up to 45° (max 30 mm thickness of M.S.)
- MAX. TORCH DIAMETER** 35 mm
- POWER CORD** 10 m
- SCOPE OF DELIVERY** EX-TRACK<sup>®</sup>MP-1 , 2 × straight rail 1,8 m, power cord, operator manual

## ORDERING INFO

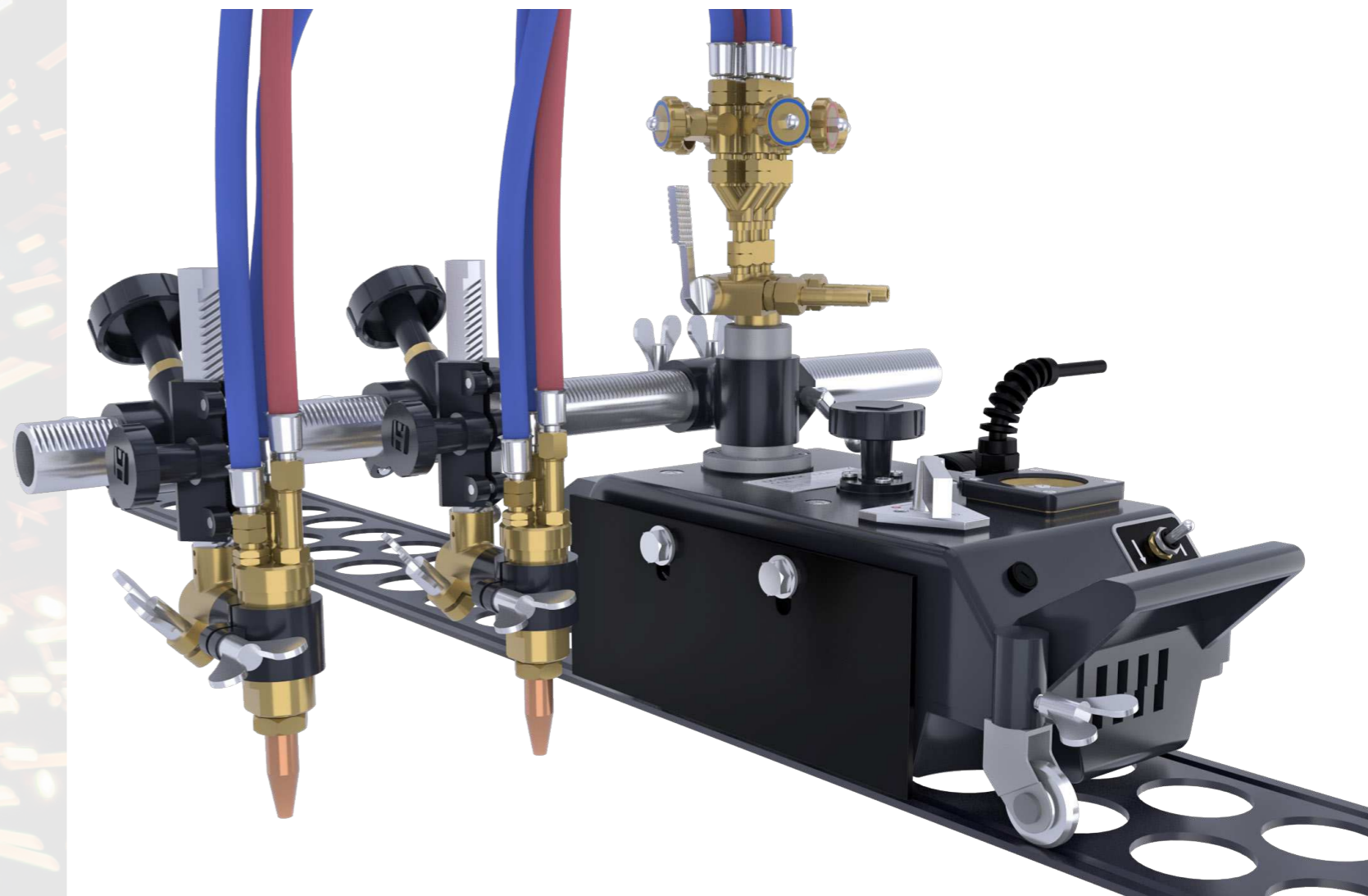
Description	Part No.
EX-TRACK <sup>®</sup> MP1/240 VAC/CE/straight cutter plasma	EX-0-704-004
EX-TRACK <sup>®</sup> tractors straight rail 1,8 m	EX-0-704-101
EX-TRACK <sup>®</sup> tractors circular rail	EX-0-704-102
EX-TRAFIRE <sup>®</sup> remote controller	EX-0-803-005

# EX-TRACK<sup>®</sup> MA-1 & MA-2

**EX-TRACK<sup>®</sup> MA-1** and **MA-2** are portable oxy-fuel cutting tractors for cutting strips, doing a bevel or cutting a circles with a possibility to set stable cutting speed and direction of the movement. Thanks to these settings you are able to achieve great cut quality.

**EX-TRACK<sup>®</sup> MA-1** contains one oxy-fuel torch.  
**EX-TRACK<sup>®</sup> MA-2** contains two oxy-fuel torches.

With the machine you will get a two pieces of straight rail with length 1,8 m. For a longer cuts you can order more rails as separate items. With our circle rail you are able to cut circles with different diameters. Included oxy-fuel torches are determined for the cutting with propane.



## SPECIFICATIONS

**INPUT VOLTAGE** 230V AC / 50 Hz

**DIMENSIONS** 440 x 205 x 125 mm

**WEIGHT** 10 kg

**CUTTING SPEED** 80-800 mm /min

**POSSIBLE CUTTING THICKNESS** 5-90 mm of Mild steel

**BEVELING** up to 45°

**POWER CORD** 10 m

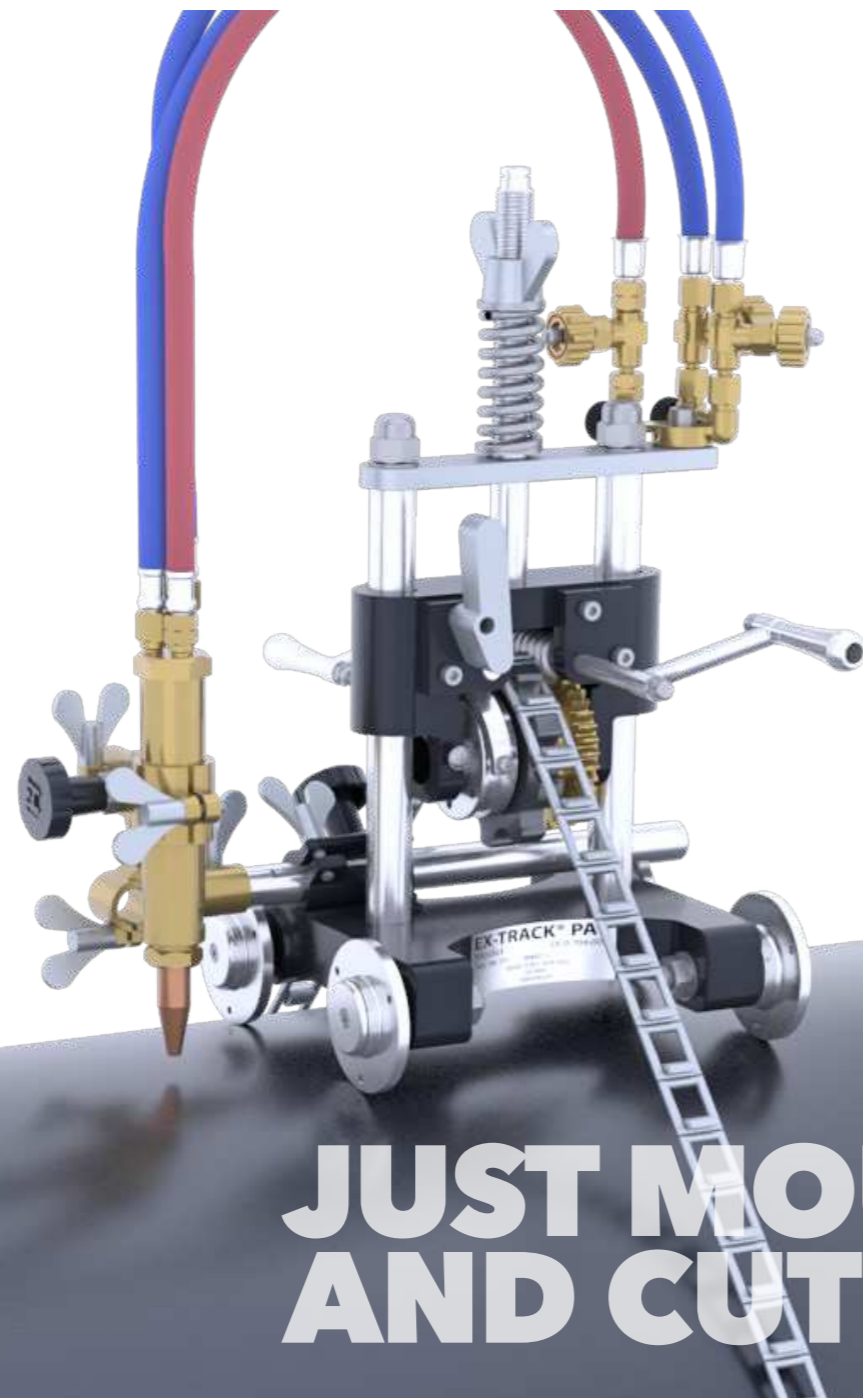
**SCOPE OF DELIVERY** EX-TRACK<sup>®</sup> MA-1 (or MA-2) , 2 x straight rail 1,8 m, power cord 10 m, operator manual, oxy-fuel starting kit\* with nozzles type #1, #2, #3, basic tool kit

\*In case of order EX-TRACK<sup>®</sup> MA-2 the oxy-fuel starting kit will be doubled

## ORDERING INFO

Description	Part No.	Description	Part No.
EX-TRACK <sup>®</sup> MA-1/240 V AC/CE/1-OXY/straight cutter	EX-0-704-002	Cutting nozzle propane 0 (5-10 mm)	EX-0-708-018
EX-TRACK <sup>®</sup> MA-2/240 V AC/CE/2-OXY/straight cutter	EX-0-704-003	Cutting nozzle propane 1 (10-20 mm)	EX-0-708-019
EX-TRACK <sup>®</sup> tractors straight rail 1,8 m	EX-0-704-101	Cutting nozzle propane 2 (20-35 mm)	EX-0-708-020
EX-TRAFIRE <sup>®</sup> circular rail	EX-0-704-102	Cutting nozzle propane 3 (35-60 mm)	EX-0-708-021
Cutting nozzle propane 00 (1-5 mm)	EX-0-708-017	Cutting nozzle propane 4 (60-90 mm)	EX-0-708-022

EX-TRACK® PA-1



JUST MOUNT IT AND CUT PIPES.

**EX-TRACK®PA-1** is a portable cutting system designed for cutting mild steel tubes using an oxy-fuel torch. With this device you can cut pipes up to 600 mm diameter (with included chain) and with wall thicknesses up to 90 mm and manually control the whole cutting process - no electricity needed. PA-1 is a handy cutting tool for use on construction sites, and in workshops, where it is necessary to cut tubes, make a bevel, etc. Guard your device against damage with the addition of a flashback arrestor. Two larger wheels provided in the package enhance versatility and enable the cutting of tubes with diameters smaller than 108 mm - simply switch the wheels for seamless adaptation. The clutch leveler facilitates swift movement to your desired cutting spot, streamlining the process. Experience a significant speed boost in tube cutting with the EX-TRACK®PA-1 compared to using a standard grinder, resulting in a notably smoother cut surface. The entire device is designed for easy assembly and user-friendly operation. Additionally, benefit from the included oxy-fuel consumables starter kit and basic assembly tools.

**SPECIFICATIONS**

- WHOLE PACKAGE WEIGHT** 12 kg
- DEVICE DIMENSIONS** 325 × 325 × 425 mm
- TYPE OF APPLICATION** oxy-fuel cutting
- TYPE OF OPERATION** manual
- EFFECTIVE PIPE CUTTING DIAMETER \*** 108-600 mm
- CHAIN LINKS** 80 links
- MATERIAL THICKNESS** 5-90 mm
- GROOVE SHAPE** I-shape, V-bevel
- RANGE OF VERTICAL TORCH MOVEMENT** 50 mm
- RANGE OF LATERAL TORCH MOVEMENT** 100 mm
- PERMISSIBLE FUEL GAS** propane
- MAX. GAS INLET PRESSURE** propane - up to 3 bar / 43.5 PSI  
oxygen - up to 10 bar / 145 PSI

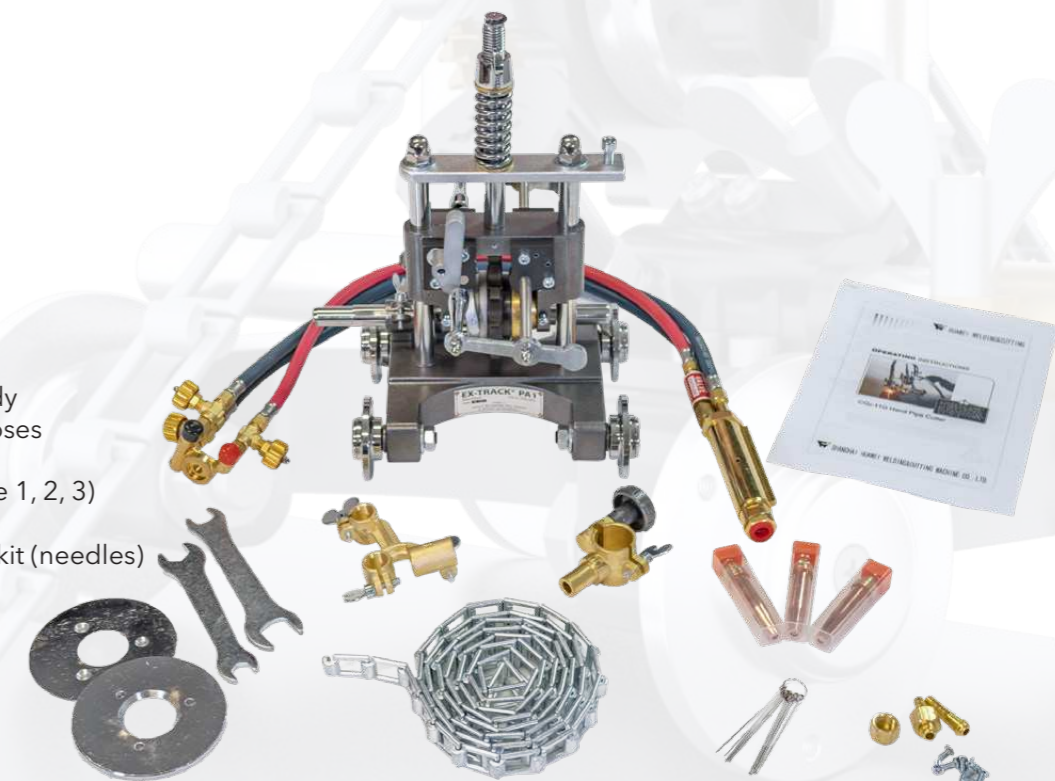
\* After the installation of two larger wheels it is possible to cut pipes with a diameter of 80-108 mm.

**ORDERING INFO**

Description	Part No.
EX-TRACK® PA-1/CE/1-OXY/pipe cutter	EX-0-704-005
Cutting nozzle propane 00 (1-5 mm)	EX-0-708-017
Cutting nozzle propane 0 (5-10 mm)	EX-0-708-018
Cutting nozzle propane 1 (10-20 mm)	EX-0-708-019
Cutting nozzle propane 2 (20-35 mm)	EX-0-708-020
Cutting nozzle propane 3 (35-60 mm)	EX-0-708-021
Cutting nozzle propane 4 (60-90 mm)	EX-0-708-022

**CONTENT OF THE KIT**

- EX-TRACK®PA-1 device body
- Gas distributor including hoses and torch assembly
- Tip for propane (3 pcs - type 1, 2, 3)
- Open wrenches (2 pcs)
- Consumables cleaning toolkit (needles)
- Gas fittings
- Horizontal torch holder
- Vertical torch holder
- Chain (80 links)
- Operator manual
- Larger wheels (2 pcs)



**WATER TABLE FOR CUTTING**



**SUITABLE FOR  
EX-TRACK® CNC  
2 000 × 1 000  
CUTTING SYSTEM**

**STABLE, DURABLE AND STURDY TABLE**  
WITH WATER PAN FOR CUTTING WITH ALMOST NO FUMES!

**Draining valve**

The Water Cutting table suitable for EX-TRACK®CNC cutting system is equipped with drain valve, size 5/4".

**Sturdy, stable construction**

Eight legs with adjustable height give sturdy, stable construction for excellent work with EX-TRACK®CNC cutting system.

**Replaceable grid**

Easy cleaning of water pan after the cutting due to replaceable slats, which you can remove one by one.



**SPECIFICATIONS**

- TABLE WEIGHT (WITHOUT WATER AND CNC UNIT)** 280 kg
- WEIGHT OF THE GRID (27 INDIVIDUAL SEGMENTS)** 40,5 kg
- MAX. LOAD CAPACITY FOR CUT MATERIAL** 550 kg
- TOTAL TABLE WEIGHT INCL. MATERIAL AND WATER** 1 049 kg
- DIMENSIONS (L × W × H)** 2070 × 1 630 × 860 mm
- USABLE WORK SURFACE FOR MACHINE CUTTING** 2 000 × 1 000 mm

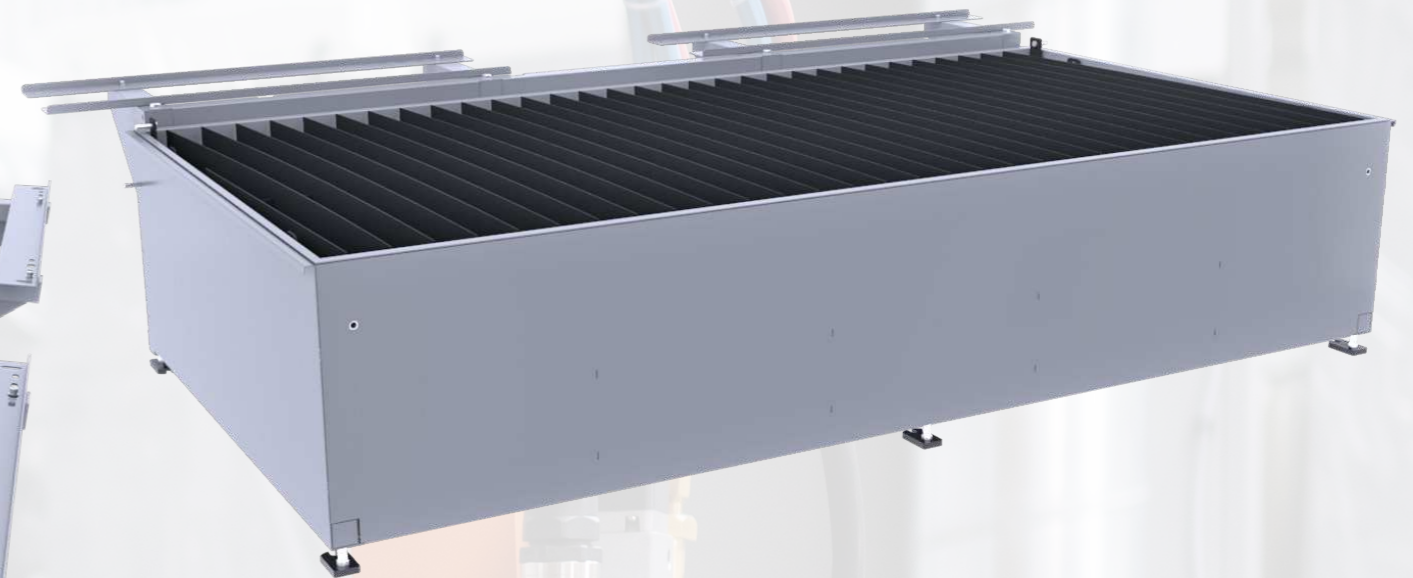
**ORDERING INFO**

Description	Part No.
EX-TRACK® water table 1 000 × 2 000	EX-0-716-002
Slats set for water table 1 000 × 2 000 *	EX-0-713-030
EX-TRACK®CNC-1 500 W 1 000 × 2 000/230 VAC/CE/PA-ready/OXY	EX-0-707-003

\* Spare part



# HERR® WATER TABLE



## SOLUTION FOR PORTABLE CUTTING SYSTEMS

The water-cutting table from the CT-PORW series is a stationary solution for plasma cutting and flame cutting metal. Cut particles and slag generated during the cutting processes are collected and bound in the water. This reduces emissions.

HERR® water table is a great variant for the customer, who wants to use EX-TRACK®CNC, but has less space in the workshop or wants to invest less money for the fully working system.

Robust construction, stainless steel water tray, adjustable feet for proper leveling of the table, big draining valve for fast draining of the polluted water, replaceable slats - all those features you can find on HERR® water table. The whole grid with slats is easy to lift thanks to crane eyes. Ensuring proper grounding for all metal table components is standard practice. Utilizing water during plasma cutting effectively captures and contains nearly all toxic fumes, ensuring a safe working environment for the operator when using this type of water table.

### SPECIFICATIONS

**DIMENSIONS (L × W × H)** 3 245 × 2 180 × 650-750 mm

**MAXIMUM CUTTING AREA** 3 000 × 1 500 mm

**TOTAL TABLE WEIGHT** 830 kg

**WATER TANK CAPACITY** 1 000 l

**RECOMMENDED MAX. WATER FILL LEVEL** 20 mm below the lower edge of the workpiece (max. 800 l)

**MAX. SHEET THICKNESS** 40 mm

**MAX. LOAD** 400 kg/m<sup>2</sup>, 1 500 kg with even weight distribution across the entire area

### ORDERING INFO

Description	Part No.
HERR® water table 1 600 × 3 200	EX-0-714-011

HERR® DOWNDRAFT TABLE



**SOLUTION FOR PORTABLE CUTTING SYSTEMS**

Beside the cutting machine, the cutting tool and the steel used for manufacturing, the cutting table is an important investment. The structure of the cutting table must be well designed and durable for achieving quality cutting by efficiently and effectively removing the dust and contaminated air from the cutting process. In order to offer the best plan to help the customer to solve their dust problem, the customized service of HERR® PorVent table combination is also available. HERR® combines cutting table and the exhaust system perfectly together to achieve the ultimate goal - the protection of work force and increase in productivity.

HERR® also offers a complete system which consists of cutting table, filter system, fan and pipes. Besides those merits, HERR® cutting table is also easy to install and maintain, and energy efficient. HERR® only uses quality components to manufacture the PorVent down draft cutting table. The tables fulfill all requirements of a functional cutting table. Due to the modular design, the PorVent tables are easy to transport, install and can even be expanded to adjust the increasing workload. The PorVent down draft table uses long lasting components like copper pipes and two way air cylinders. The specially designed exhaust channels and flaps are crafted to minimize the reliance on compressed air and fan power. This, in turn, lowers your operational costs and enhances productivity.



**SPECIFICATIONS**

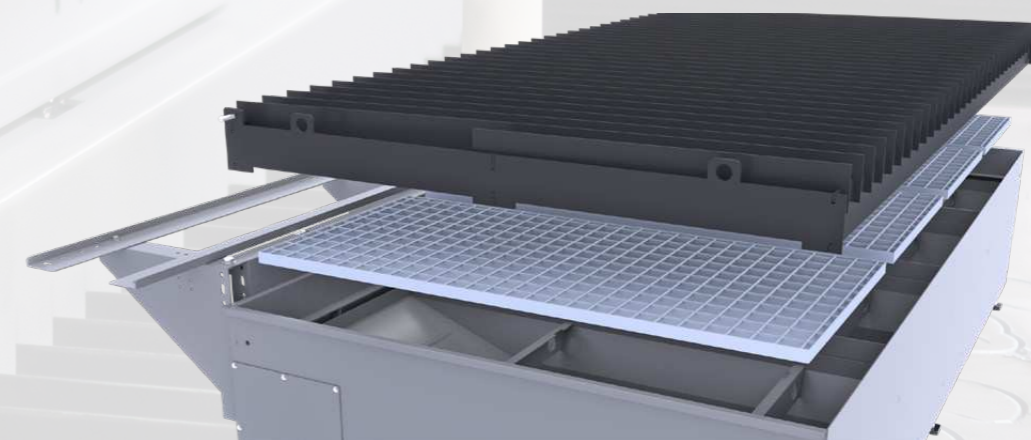
- DIMENSIONS (L x W x H)** 3 200 x 2 120 x 650 - 670 mm
- MAXIMUM CUTTING AREA** 3 000 x 1 500 mm
- EXTRACTION SECTIONS** 4 x 750 mm
- TOTAL TABLE WEIGHT** approx. 870 kg
- THICKNESS OF THE CUTTING RIDGES** 3 mm
- OPENING OF THE EXTRACTION FLAPS** pneumatic
- COMPRESSED AIR REQUIRED** 5-6 bar @ 140 lpm, clean, oil-free
- MAX. LOAD** 400 kg/m<sup>2</sup>, 1 500 kg with even weight distribution across the entire area

**ORDERING INFO**

Description	Part No.
HERR® downdraft table 1 600 x 3 200 for EX-TRACK®CNC	EX-0-714-004

**ACCESSORIES**

Description	Part No.
Grid for cutting small parts	EX-0-713-028

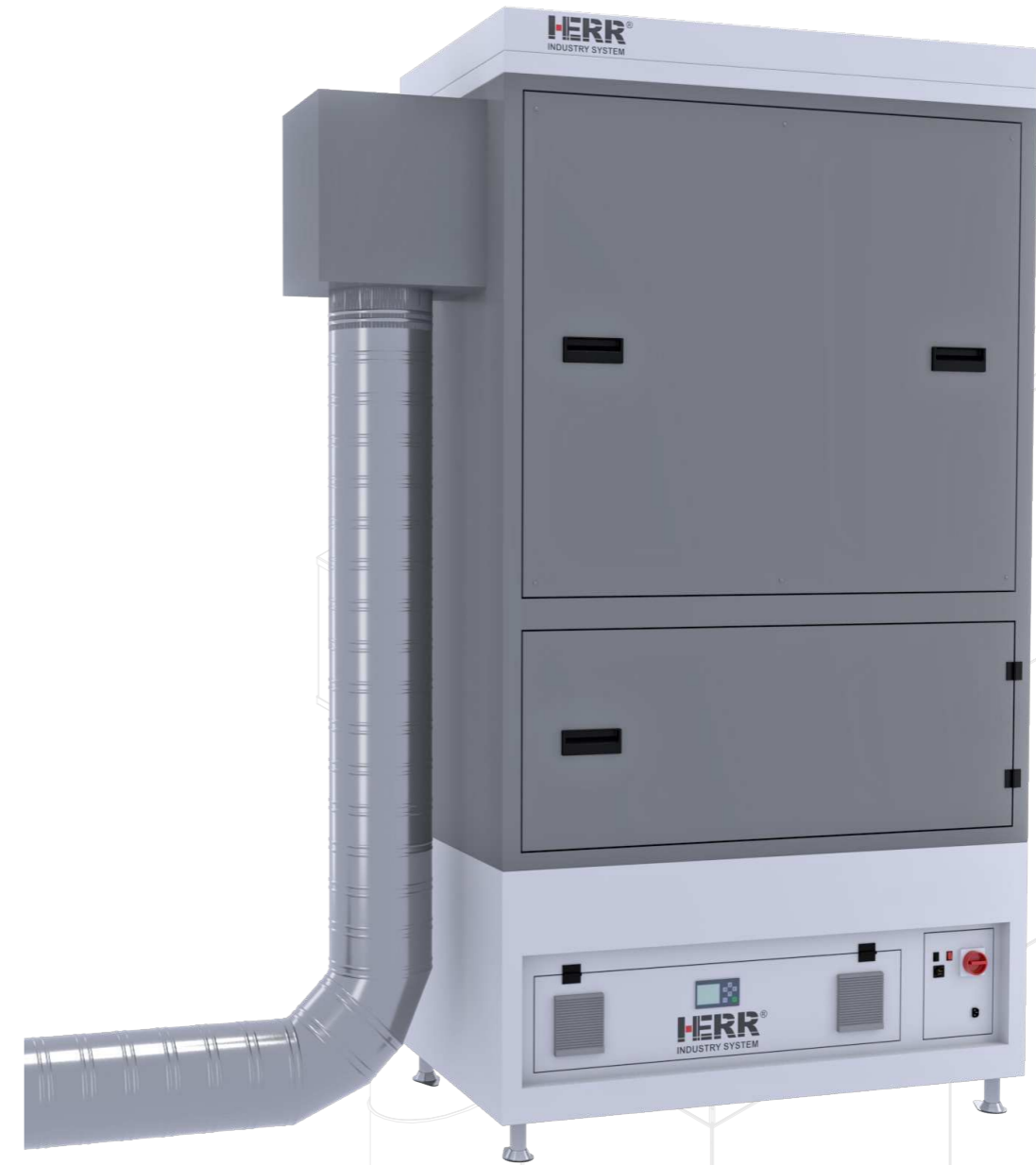


# EXHAUSTING UNIT



**STRONG  
AND QUIET.**

The 880 series filter system is extremely compact and light. It is the first choice for exhaust of smoke and dust generated by plasma or oxy-fuel cutting. The two filter cartridges are hosted in the upper segment of the filter system. This allows easy access for maintenance and cleaning of the dust bin. The 880200-40 model uses two 20 m<sup>2</sup> filter cartridges made of ePTFE laminated fabric. This guarantees a highly efficient filtration of the contaminated air. The soft, quiet (<75 dB) and efficient cleaning via the HiRoto<sup>®</sup> rotary nozzles saves air (energy) and stresses the filter cartridge less than conventional cleaning procedures via air pulse. HISTec<sup>®</sup> ePTFE filter cartridges do not only clean the air more thoroughly than regular filter cartridges, they also last longer. With an extraction capacity of 3 000 m<sup>3</sup>/h, the unit is strong enough to extract the cutting surface of 3 000 x 1 500 mm in combination with the HERR<sup>®</sup> downdraft table.



## SPECIFICATIONS OF THE 880200-40 UNIT

**AIR VOLUME** max. 3 000 m<sup>3</sup>/h

**WEIGHT** 495 kg

**OPERATING VOLTAGE** 380-400 VAC

**RATED CURRENT (A)** 5,9-7,1

**MOTOR OUTPUT** 2 × 1,5 kW

**FREQUENCY** 50 Hz

**MOTOR** 3 phase

**CONTROL VOLTAGE** 24 VAC

**DUTY CYCLE** 100 %

**COMPRESSED AIR** 5-6 bar @ 140 lpm

## ORDERING INFO

Description	Part No.
Central extraction system; 3 000 m <sup>3</sup> /h; 1,5 kW; 3 x 400 V; 50 Hz; 40 m <sup>2</sup> filter surface; 1 200 x 800 x 2 445; 495 kg	EX-0-710-001
Piping kit for connecting exhausting unit with the downdraft table	EX-0-714-002
Replacement filter cartridge ePTFE, 20 m <sup>2</sup>	EX-0-711-001

**WORKING TABLES**

HERR® working tables provide a solution to the dust extraction, which is especially suited to the needs of portable cutting machines and other types of metalworking. Dust and exhaust gases are drawn through the table into a central pipe system at the end of it the filter system is located. The table helps here also in the separation of sparks and embers. Coarse dust, pieces of slag and workpiece residues fall into a simple to be emptied container.

Through the use of the work table the hazards by sparks, slag and metal splinters can be better controlled and minimized. The work support of the table can easily be removed and replaced, if it is worn out.

HERR® work table with integrated suction is available in different dimensions, it adapts thus flexible to your needs. The air outlet Ø 160 mm can be connected on the left or right side.



**ORDERING INFO**

Description	Part No.
HERR® hand plasma cutting table (L x W x H) 800 x 600 x 800; air volume demand 2 000 m³/h	EX-0-716-030
HERR® hand plasma cutting table (L x W x H) 1 200 x 600 x 800; air volume demand 2 200 m³/h	EX-0-716-031
HERR® hand plasma cutting table (L x W x H) 1 200 x 800 x 800; air volume demand 2 500 m³/h	EX-0-716-032



**GRINDING TABLE**

The HERR® grinding table helps to catch the sparks, metal splashes and dust occurring during grinding and polishing. The harmful dusts are thereby fed into a pipe system which is connected to central filtering system. Pipe connection is Ø 250 mm.

HERR® grinding table has a modular design. By adding modules to the work surface it can arbitrarily be extended. The winged doors on either side and the top cover can be opened to allow access for large workpieces. The grinding table was designed for a wide range of applications in the welding workshop or in training institutions. Thanks to working height 810 mm and table depth 750 mm is work on the grinding table really comfortable.

**ORDERING INFO**

Description	Part No.
HERR® grinding table (L x W x H) 1 010 x 1 000 x 1 700; air volume demand 2 000 m³/h	EX-0-716-040
HERR® grinding table (L x W x H) 1 510 x 1 000 x 1 700; air volume demand 3 000 m³/h	EX-0-716-041



**THINK FRESH.  
CUT ORANGE.**

[WWW.THERMACUT.COM](http://WWW.THERMACUT.COM)

follow  
**#EXTRACK**

