

ECO.40S

Magnetic drilling machine

EUROBOOR

FOR PROFESSIONALS BY PROFESSIONALS

Technical data

	Metric	Imperial
Annular cutting	Ø 12 - 40 mm	Ø 1/2" - 1 9/16"
Twist drilling	Ø 1 - 16 mm	Ø 1/16" - 5/8"
Countersinking	Ø 10 - 45 mm	Ø 3/8" - 1 3/4"
Length	264 mm	10 3/8"
Width	180 mm	7 1/16"
Height	360 - 440 mm	14 3/16" - 17 5/16"
Stroke	145 mm	5 11/16"
Weight*	10.5 kg	23.1 lbs
Magnet (l x w x h)	160 x 80 x 42 mm	6 5/16" x 3 1/8" x 1 5/8"
Magnetic force	1,500 kg	3,305 lbs
Motor power	1,150 W	10.5 A
Total power	1,200 W	10.9 A
Speed		600 rpm
(no load)		
Speed		380 rpm
(load 1,150 W, 10.5 A)		
Spindle (Weldon)	19.05 mm	3/4"
Voltage		110 - 120 V / 60 Hz 220 - 240 V / 50 - 60 Hz

* Without power cord and handles

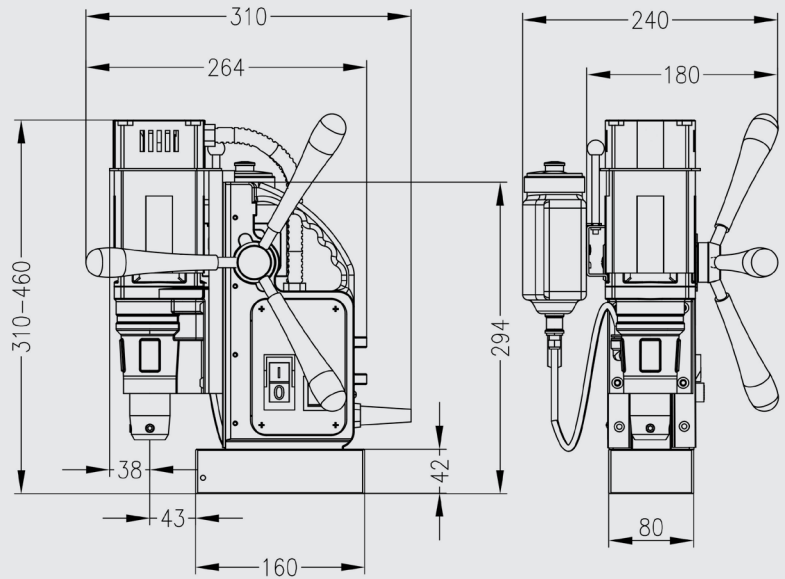
Features



Oil lubricated
gearbox



Magnet
LED-indicator
(SensorTec)



Euroboor makes every effort to meet quality and integrity requirements. That is why we as an organization are proud of the recognition of some leading organizations worldwide:



www.euroboor.com