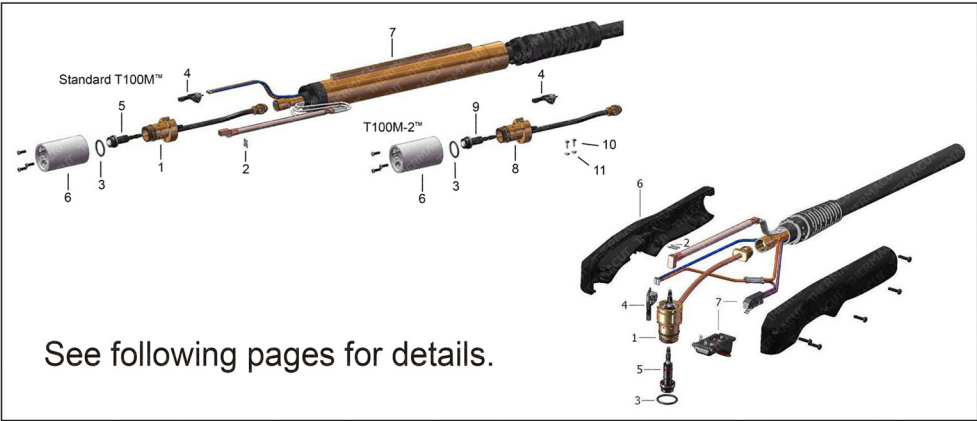
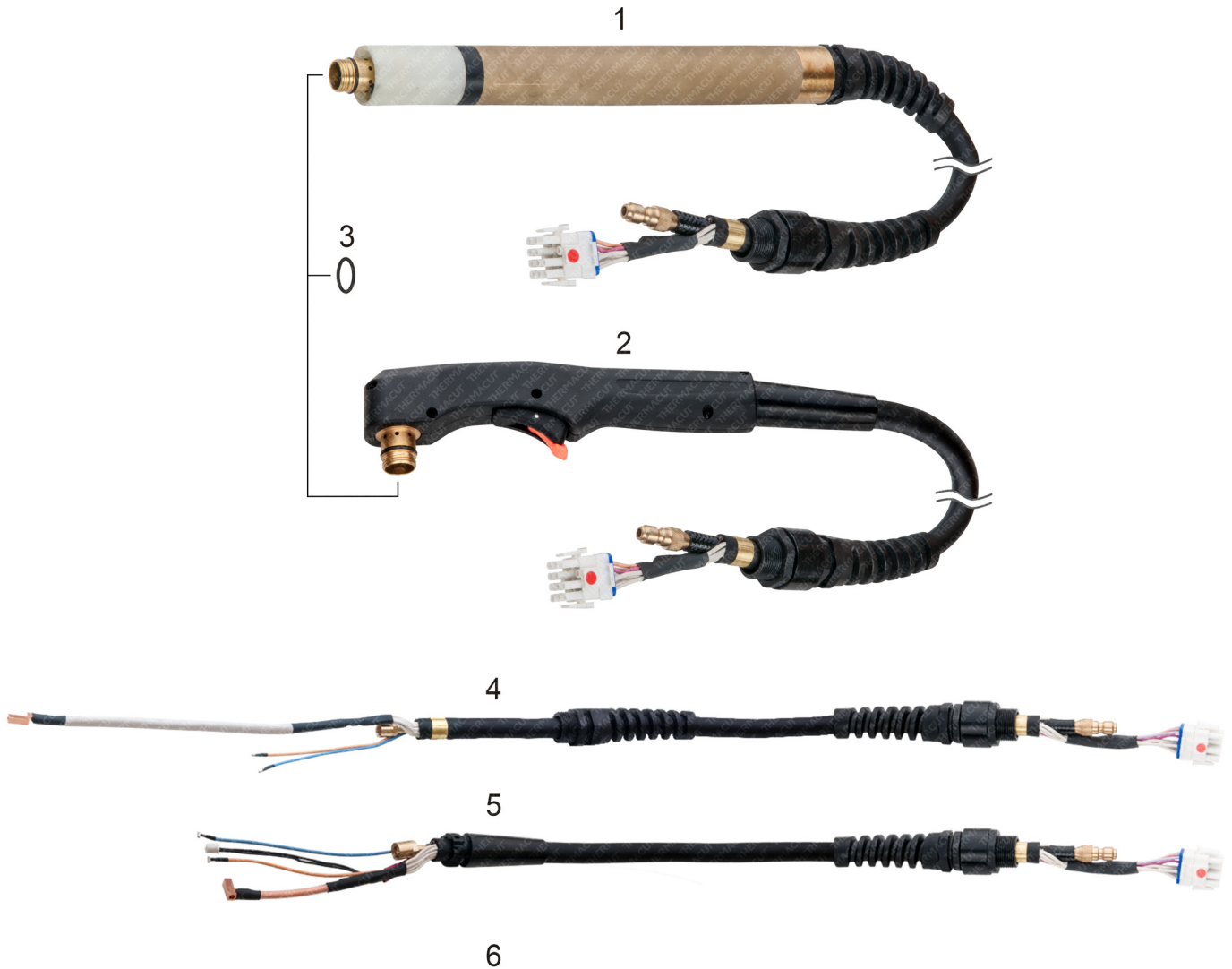


THERMACUT® REPLACEMENT PARTS SUITABLE FOR
Hypertherm®
POWERMAX® 1000 / POWERMAX® 1250 / POWERMAX® 1650
T60™/T60M™ TORCH, T80™/T80M™ TORCH, T100™/T100M™ TORCH



THERMACUT®, FHT-EX® AND EX-TRAFIRE® ARE REGISTERED TRADEMARKS OF THERMACUT, K. S. AND MAY BE REGISTERED IN CZECH REPUBLIC AND/OR OTHER COUNTRIES. ALL OTHER TRADEMARKS ARE PROPERTIES OF THEIR RESPECTIVE OWNERS. THERMACUT IS NO WAY AFFILIATED WITH HYPERTHERM®. MOST THERMACUT PARTS ARE MADE FOR OR BY AN IBG COMPANY. PARTS INDICATED WITH A OEM ARE ORIGINAL PARTS MANUFACTURED BY THE ABOVE NAMED MANUFACTURER AND ARE BEING RESOLD BY THERMACUT. THERMACUT RESERVES THE RIGHT TO SUBSTITUTE OEM PARTS IN PLACE OF THERMACUT PARTS.
 VALID FROM FEBRUARY 2023 • PREVIOUS VERSION IS NO LONGER VALID. • © COPYRIGHT 2023 BY THERMACUT® CZECH REPUBLIC. ALL RIGHTS RESERVED.

**THERMACUT® REPLACEMENT PARTS SUITABLE FOR
Hypertherm®
POWERMAX® 1000 / POWERMAX® 1250 / POWERMAX® 1650
T60™/T60M™ TORCH, T80™/T80M™ TORCH, T100™/T100M™ TORCH**

Item	Part No.	Ref. No.	Description	Std. Pkg.	Item	Part No.	Ref. No.	Description	Std. Pkg.
1.	KT-1194	083175-UR	T60M™ Machine Torch with Leads 4.6m (15')	1	*	KT-1149*	059270-UR	T100™ Hand Torch with Leads 15.2m (50')	1
*	KT-1138*	083174-UR	T60M™ Machine Torch with Leads 7.6m (25')	1	*	KT-1345*	059499-UR	=059270-UR	1
*	KT-1195*	083176-UR	T60M™ Machine Torch with Leads 10.7m (35')	1	3.	T-4510	058519	O-Ring	10
*	KT-1196*	083177-UR	T60M™ Machine Torch with Leads 15.2m (50')	1	*4.	KT-1136*	128681-UR	T60™ Cable Leads, Hand 7.6m (25')	1
*	KT-1193*	087003-UR	T80M™ Machine Torch with Leads 4.6m (15')	1	*	KT-1140*	128682-UR	T60™ Cable Leads, Hand 15.2m (50')	1
*	KT-1134*	087004-UR	T80M™ Machine Torch with Leads 7.6m (25')	1	*5.	KT-1192*	128634-UR	T60M™/T80M™ Cable Leads, Machine 4.6m (15')	1
*	KT-1184*	087005-UR	T80M™ Machine Torch with Leads 10.7m (35')	1	*	KT-1133*	128633-UR	T60M™/T80M™ Cable Leads, Machine 7.6m (25')	1
*	KT-1163*	087006-UR	T80M™ Machine Torch with Leads 15.2m (50')	1	*	KT-1183*	128635-UR	T60M™/T80M™ Cable Leads, Machine 10.7m (35')	1
*	KT-1124*	059265-UR	T100M™ Machine Torch with Leads 7.6m (25')	1	*	KT-1162*	128641-UR	T60M™/T80M™ Cable Leads, Machine 15.2m (50')	1
*	KT-1170*	059268-UR	T100M™ Machine Torch with Leads 10.7m (35')	1	*4.	KT-1144*	128636-UR	T80™ Cable Leads, Hand 15.2m (50')	1
*	KT-1175*	059272-UR	T100M™ Machine Torch with Leads 15.2m (50')	1	*	KT-1146*	128893-UR	T80™ Cable Leads, Hand 22.9m (75')	1
*	KT-1450*	059315-UR	T100M-2™ Machine Torch with Leads 7.6m (25')	1	*	KT-1121*	128755-UR	T100™ Cable Leads, Hand 7.6m (25')	1
*	KT-1395*	059325-UR	T100M-2™ Machine Torch with Leads 15.2m (50')	1	*	KT-1148*	128752-UR	T100™ Cable Leads, Hand 15.2m (50')	1
*	T-13153*	059326-UR	T100M-2™ Machine Torch with Leads 22.9m (75')	1	*5.	KT-1122*	128753-UR	T100M™ Cable Leads, Machine 7.6m (25')	1
*	KT-1259*	059300-UR	T100M™ Machine Torch with Leads 22.9m (75')	1	*	KT-1169*	128751-UR	T100M™ Cable Leads, Machine 10.7m (35')	1
2.	KT-1137	083172-UR	T60™ Hand Torch with Leads 7.6m (25')	1	*	KT-1174*	128759-UR	T100M™ Cable Leads, Machine 15.2m (50')	1
*	KT-1141*	083171-UR	T60™ Hand Torch with Leads 15.2m (50')	1	*	KT-1258*	KT100M.22,9M.K	T100M™ Cable Leads, Machine 22.9m (75')	1
*	KT-1143*	083208-UR	T60™ Hand Torch with Leads 22.9m (75')	1	*	KT-1467*	228222-UR	T100M-2™ Cable Leads, Machine 7.6m (25')	1
*	KT-1131*	087001-UR	T80™ Hand Torch with Leads 7.6m (25')	1	*	KT-1396*	228224-UR	T100M-2™ Cable Leads, Machine 15.2m (50')	1
*	KT-1145*	087002-UR	T80™ Hand Torch with Leads 15.2m (50')	1	6.			Torch, cable leads. See following pages for details.	
*	KT-1147*	087047-UR	T80™ Hand Torch with Leads 22.9m (75')	1					
*	KT-1123*	059264-UR	T100™ Hand Torch with Leads 7.6m (25')	1					

* FULLY INTERCHANGEABLE WITH ORIGINAL PARTS, BUT DIFFERS FROM ORIGINAL DESIGN

THERMACUT®, FHT-EX® AND EX-TRAFIRE® ARE REGISTERED TRADEMARKS OF THERMACUT, K. S. AND MAY BE REGISTERED IN CZECH REPUBLIC AND/OR OTHER COUNTRIES. ALL OTHER TRADEMARKS ARE PROPERTIES OF THEIR RESPECTIVE OWNERS. THERMACUT IS NO WAY AFFILIATED WITH HYPERTHERM®. MOST THERMACUT PARTS ARE MADE FOR OR BY AN IBC COMPANY. PARTS INDICATED WITH A OEM ARE ORIGINAL PARTS MANUFACTURED BY THE ABOVE NAMED MANUFACTURER AND ARE BEING RESOLD BY THERMACUT. THERMACUT RESERVES THE RIGHT TO SUBSTITUTE OEM PARTS IN PLACE OF THERMACUT PARTS. VALID FROM FEBRUARY 2023 • PREVIOUS VERSION IS NO LONGER VALID. • © COPYRIGHT 2023 BY THERMACUT® CZECH REPUBLIC. ALL RIGHTS RESERVED.