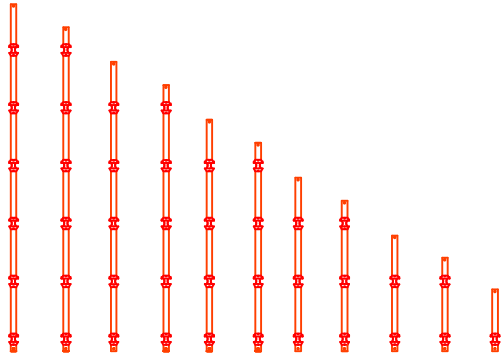
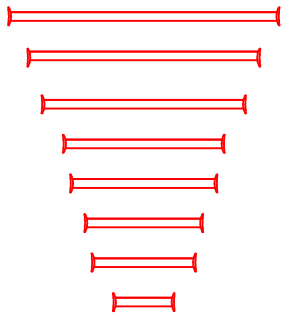
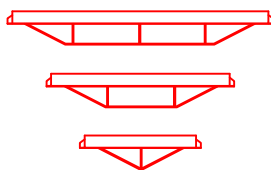
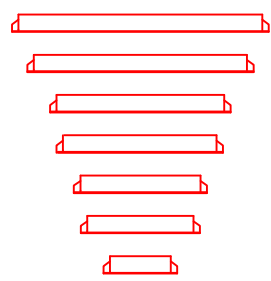



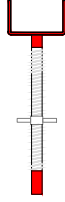
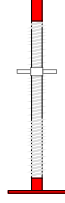
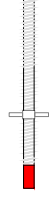
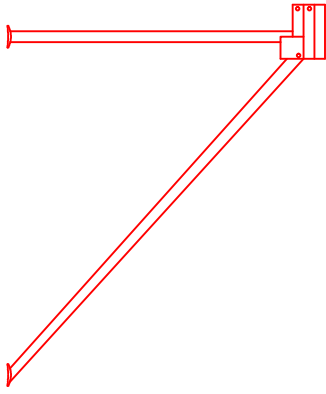

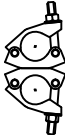
SLAB FORMWORK

CUPLOCK / DECKING SYSTEM

ITEM CODE NO.	ITEM DESCRIPTION	SKETCH	KG./ UNIT	
10001	STANDARD 3.00m		13.50	
10002	STANDARD 2.80m		13.00	
10003	STANDARD 2.50m		12.70	
10004	STANDARD 2.30m		11.50	
10005	STANDARD 2.00m		10.50	
10006	STANDARD 1.80m		9.00	
10009	STANDARD 1.50m		8.50	
10010	STANDARD 1.30m		7.00	
10011	STANDARD 1.00m		6.50	
10012	STANDARD 0.80m		4.50	
10013	STANDARD 0.50m		3.00	
10014	LEDGER 2.50m			8.50
10015	LEDGER 1.80m			5.50
10016	LEDGER 1.60m	5.00		
10017	LEDGER 1.30m	4.50		
10018	LEDGER 1.20m	4.00		
10019	LEDGER 1.00m	3.50		
10020	LEDGER 0.90m	3.10		
10021	LEDGER 0.60m	2.50		
10022	DECKING BEAM 2.50m		2.00	
10023	DECKING BEAM 1.80m		17.00	
10024	DECKING BEAM 1.20m		11.50	
10025	INFILL BEAM 1.70m		25.30	
10026	INFILL BEAM 1.50m		17.50	
10027	INFILL BEAM 1.20m		7.00	
10028	INFILL BEAM 1.10m		6.30	
10029	INFILL BEAM 0.90m		6.00	
10030	INFILL BEAM 0.80m		5.60	
10031	INFILL BEAM 0.50m		4.00	
10032	DROP HEAD		6.25	

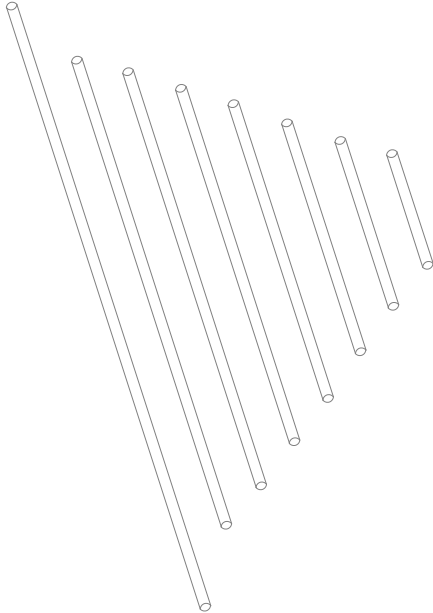
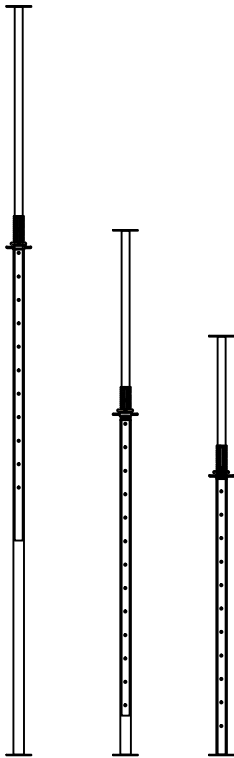

SLAB FORMWORK

CUPLOCK / DECKING SYSTEM

ITEM CODE NO.	ITEM DESCRIPTION	SKETCH	KG./ UNIT
10033	ADJUSTABLE U-HEAD		4.60
10033	ADJUSTABLE BASE		3.60
10034	UNIVERSAL JACK		2.90
10035	CANTILIVER FRAME		16.50
10036	SPIGOT PIN		0.75
10037	SWIVEL COUPLER		1.00

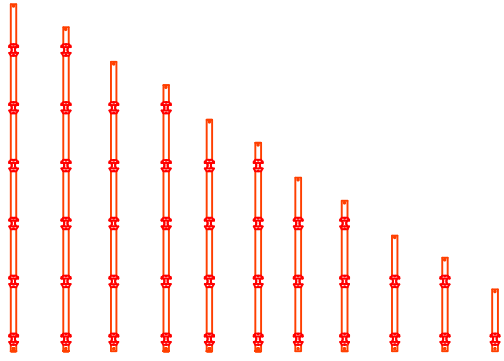
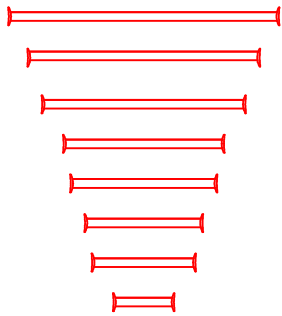
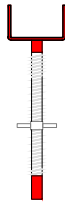
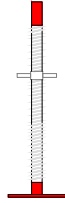
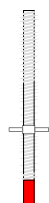
SLAB FORMWORK

CUPLOCK / DECKING SYSTEM

ITEM CODE NO.	ITEM DESCRIPTION	SKETCH	KG./ UNIT
10038 10039 10040 10041 10042 10043 10044 10045	BRACING TUBE 6.00m BRACING TUBE 4.00m BRACING TUBE 3.50m BRACING TUBE 3.00m BRACING TUBE 2.50m BRACING TUBE 2.00m BRACING TUBE 1.50m BRACING TUBE 1.00m		27.00 18.00 15.75 13.50 11.25 9.00 6.75 4.50
10047 10048 10049	L.D. PROP JACK 6.00m L.D. PROP JACK 5.00m L.D. PROP JACK 4.00m		24.00 20.00 11.00
10047	PLAIN BASE		1.50

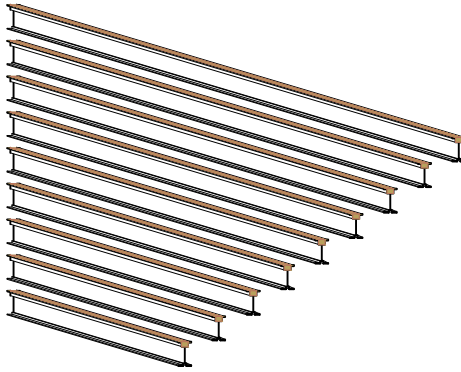
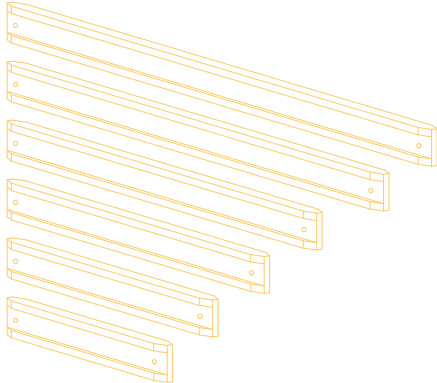

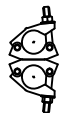
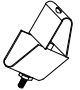
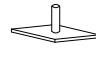
SLAB FORMWORK

CUPLOCK /ALUM. OR H2O BEAM SYSTEM

ITEM CODE NO.	ITEM DESCRIPTION	SKETCH	KG./ UNIT	
10001	STANDARD 3.00m		13.50	
10002	STANDARD 2.80m		13.00	
10003	STANDARD 2.50m		12.70	
10004	STANDARD 2.30m		11.50	
10005	STANDARD 2.00m		10.50	
10006	STANDARD 1.80m		9.00	
10009	STANDARD 1.50m		8.50	
10010	STANDARD 1.30m		7.00	
10011	STANDARD 1.00m		6.50	
10012	STANDARD 0.80m		4.50	
10013	STANDARD 0.50m		3.00	
10014	LEDGER 2.50m			8.50
10015	LEDGER 1.80m			5.50
10016	LEDGER 1.60m	5.00		
10017	LEDGER 1.30m	4.50		
10018	LEDGER 1.20m	4.00		
10019	LEDGER 1.00m	3.50		
10020	LEDGER 0.90m	3.10		
10021	LEDGER 0.60m	2.50		
10033	ADJUSTABLE U-HEAD		4.60	
10033	ADJUUSTABLE BASE		3.60	
10034	UNIVERSAL JACK		2.90	

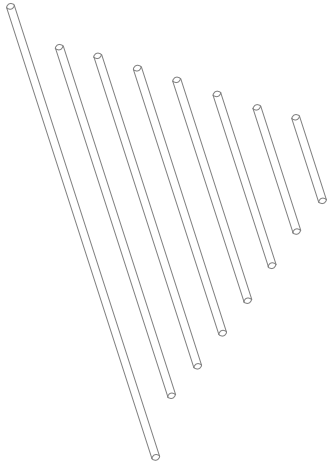
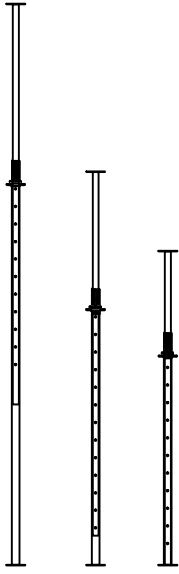
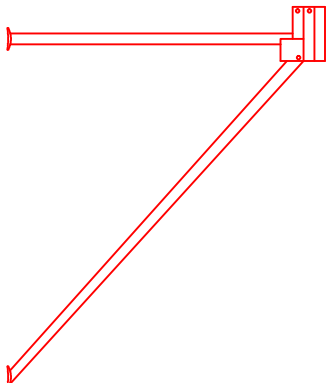
SLAB FORMWORK

CUPLOCK /ALUM. OR H2O BEAM SYSTEM

ITEM CODE NO.	ITEM DESCRIPTION	SKETCH	KG./ UNIT
20001	ALUMINUM BEAM 6.00m		—
20002	ALUMINUM BEAM 5.00m		—
20003	ALUMINUM BEAM 4.80m		—
20004	ALUMINUM BEAM 4.50m		18.45
20005	ALUMINUM BEAM 4.00m		16.40
20006	ALUMINUM BEAM 3.50m		14.35
20007	ALUMINUM BEAM 3.00m		12.60
20008	ALUMINUM BEAM 2.50m		10.25
20009	ALUMINUM BEAM 2.00m		8.20
20011	ALUMINUM BEAM 1.50m		6.15
20012	ALUMINUM BEAM 1.00m		4.10
20020	H-20 BEAM 5.90m		
20021	H-20 BEAM 4.90m	22.00	
20022	H-20 BEAM 4.50m	20.25	
20023	H-20 BEAM 3.90m	17.55	
20024	H-20 BEAM 3.60m	16.20	
20025	H-20 BEAM 3.30m	14.85	
20026	H-20 BEAM 2.90m	13.00	
20027	H-20 BEAM 2.65m	11.92	
20028	H-20 BEAM 2.45m	11.00	
20029	H-20 BEAM 2.00m	9.00	
20030	H-20 BEAM 1.80m	8.10	
20031	H-20 BEAM 1.50m	6.75	
20032	H-20 BEAM 1.00m	4.50	
10035	SPIGOT PIN		0.75
10036	COUPLER-B		1.00
10037	UNIVERSAL CLAMP		0.45
10051	PLAIN BASE		1.50

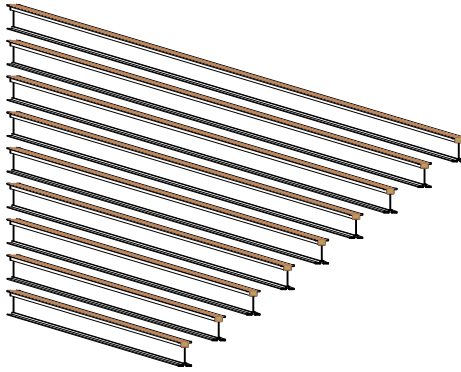
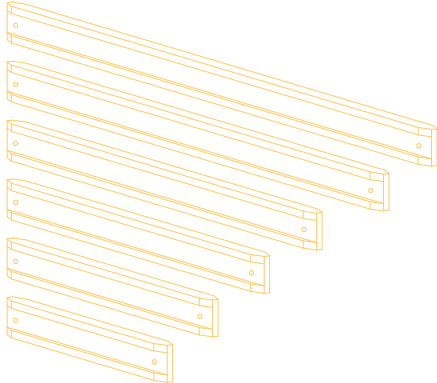
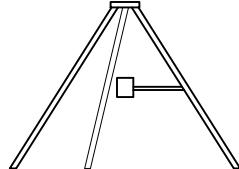
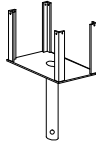
SLAB FORMWORK

CUPLOCK /ALUM. OR H20 BEAM SYSTEM

ITEM CODE NO.	ITEM DESCRIPTION	SKETCH	KG./ UNIT
10038	BRACING TUBE 6.00m		27.00
10039	BRACING TUBE 4.00m		18.00
10040	BRACING TUBE 3.50m		15.75
10041	BRACING TUBE 3.00m		13.50
10042	BRACING TUBE 2.50m		11.25
10043	BRACING TUBE 2.00m		9.00
10044	BRACING TUBE 1.50m		6.75
10045	BRACING TUBE 1.00m		4.50
10047	L.D. PROP JACK 6.00m		24.00
10048	L.D. PROP JACK 5.00m		20.00
10049	L.D. PROP JACK 4.00m		11.00
10035	CANTILIVER FRAME		16.50

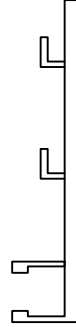
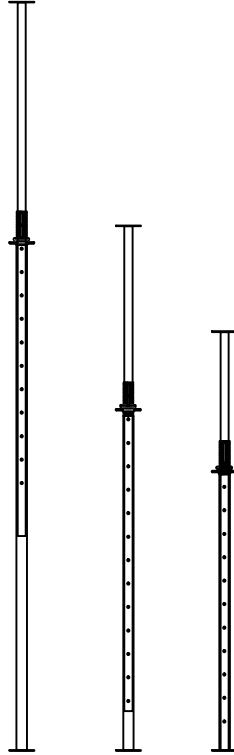

SLAB FORMWORK

TRIPOD /ALUM. OR H20 BEAM SYSTEM

ITEM CODE NO.	ITEM DESCRIPTION	SKETCH	KG./ UNIT
20001	ALUMINUM BEAM 6.00m		—
20002	ALUMINUM BEAM 5.00m		—
20003	ALUMINUM BEAM 4.80m		—
20004	ALUMINUM BEAM 4.50m		18.45
20005	ALUMINUM BEAM 4.00m		16.40
20006	ALUMINUM BEAM 3.50m		14.35
20007	ALUMINUM BEAM 3.00m		12.60
20008	ALUMINUM BEAM 2.50m		10.25
20009	ALUMINUM BEAM 2.00m		8.20
20011	ALUMINUM BEAM 1.50m		6.15
20012	ALUMINUM BEAM 1.00m		4.10
20020	H-20 BEAM 5.90m		
20021	H-20 BEAM 4.90m	22.00	
20022	H-20 BEAM 4.50m	20.25	
20023	H-20 BEAM 3.90m	17.55	
20024	H-20 BEAM 3.60m	16.20	
20025	H-20 BEAM 3.30m	14.85	
20026	H-20 BEAM 2.90m	13.00	
20027	H-20 BEAM 2.65m	11.92	
20028	H-20 BEAM 2.45m	11.00	
20029	H-20 BEAM 2.00m	9.00	
20030	H-20 BEAM 1.80m	8.10	
20031	H-20 BEAM 1.50m	6.75	
20032	H-20 BEAM 1.00m	4.50	
30010	FORK HEAD (GALV.)		15.50
30011	FORK HEAD (GALV.)		4.00

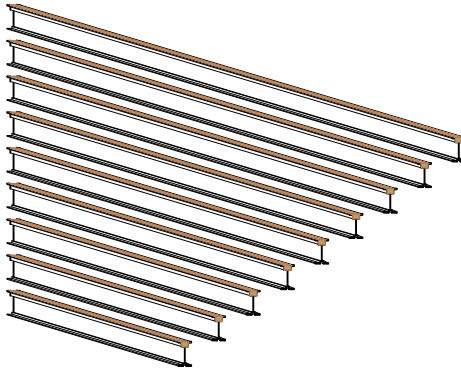
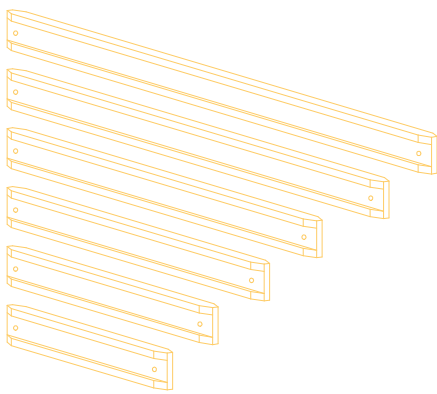
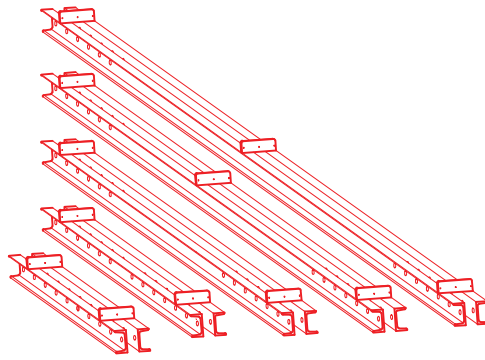
SLAB FORMWORK

TRIPOD /ALUM. OR H2O BEAM SYSTEM

ITEM CODE NO.	ITEM DESCRIPTION	SKETCH	KG./ UNIT
30012	HANDRAIL POST		11.30
30001 30002 30003 30004 30005 30006	H.D. PROP JACK (GALV.) 5.50m H.D. PROP JACK (GALV.) 5.00m H.D. PROP JACK (GALV.) 4.50m H.D. PROP JACK (GALV.) 4.00m H.D. PROP JACK (GALV.) 3.50m H.D. PROP JACK (GALV.) 3.00m		37.50 31.30 28.50 23.50 17.50 16.50
10050	UNIVERSAL CLAMP		0.45

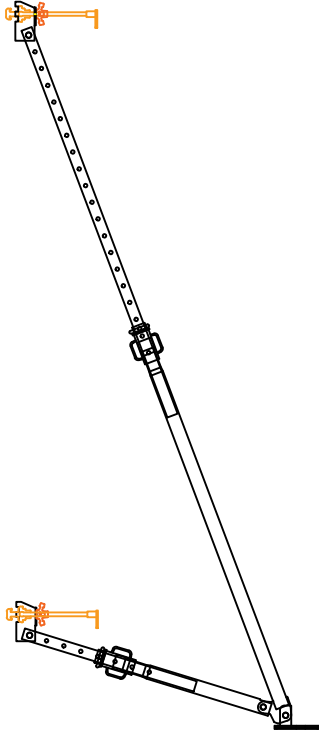


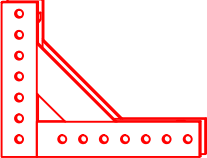
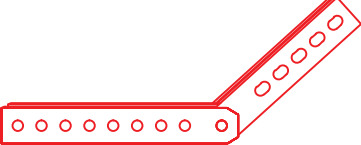
WALL FORMWORK

COLUMN H20 OR ALUM BEAM WALER SYSTEM

ITEM CODE NO.	ITEM DESCRIPTION	SKETCH	KG./ UNIT
20001	ALUMINUM BEAM 6.00m		—
20002	ALUMINUM BEAM 5.00m		—
20003	ALUMINUM BEAM 4.80m		—
20004	ALUMINUM BEAM 4.50m		18.45
20005	ALUMINUM BEAM 4.00m		16.40
20006	ALUMINUM BEAM 3.50m		14.35
20007	ALUMINUM BEAM 3.00m		12.60
20008	ALUMINUM BEAM 2.50m		10.25
20009	ALUMINUM BEAM 2.00m		8.20
20011	ALUMINUM BEAM 1.50m		6.15
20012	ALUMINUM BEAM 1.00m		4.10
20020	H-20 BEAM 5.90m		
20021	H-20 BEAM 4.90m	22.00	
20022	H-20 BEAM 4.50m	20.25	
20023	H-20 BEAM 3.90m	17.55	
20024	H-20 BEAM 3.60m	16.20	
20025	H-20 BEAM 3.30m	14.85	
20026	H-20 BEAM 2.90m	13.00	
20027	H-20 BEAM 2.65m	11.92	
20028	H-20 BEAM 2.45m	11.00	
20029	H-20 BEAM 2.00m	9.00	
20030	H-20 BEAM 1.80m	8.10	
20031	H-20 BEAM 1.50m	6.75	
20032	H-20 BEAM 1.00m	4.50	
40001	STEEL WALER 100-6.00m		118.00
40002	STEEL WALER 100-5.50m		112.40
40003	STEEL WALER 100-5.00m		102.00
40004	STEEL WALER 100-4.50m		89.10
40005	STEEL WALER 100-4.00m		79.40
40006	STEEL WALER 100-3.50m		68.40
40007	STEEL WALER 100-3.00m		60.20
40008	STEEL WALER 100-2.75m		54.20
40009	STEEL WALER 100-2.50m		48.70
40010	STEEL WALER 100-2.25m		44.20
40011	STEEL WALER 100-2.00m		38.90
40012	STEEL WALER 100-1.75m		35.00
40013	STEEL WALER 100-1.50m		29.70
40014	STEEL WALER 100-1.25m		24.70
40015	STEEL WALER 100-1.00m		19.60
40016	STEEL WALER 100-0.75m		14.90
40017	STEEL WALER 100-0.50m		10.20

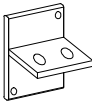
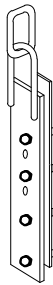
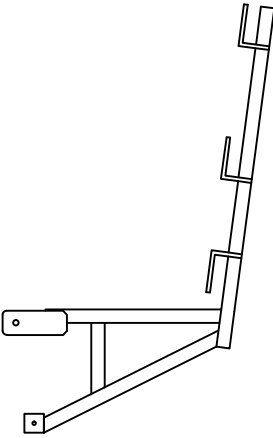
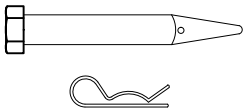
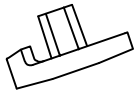
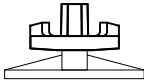
WALL FORMWORK

COLUMN H20 OR ALUM BEAM WALER SYSTEM

ITEM CODE NO.	ITEM DESCRIPTION	SKETCH	KG./ UNIT
40020 40021	PUSH-PULL STRUT 3.40m PUSH-PULL STRUT 5.50m		30.45 41.40
40022	WALER ELEMENT CONNECTOR		6.60
40023	ADJUSTABLE WALER CONNECTOR		21.50
40024	CORNER CONNECTING PLATE 50/90		13.80
40025	SWIVEL JOINT PLATE		21.50

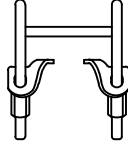
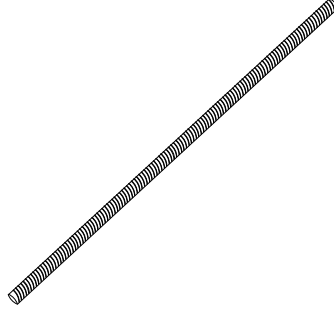
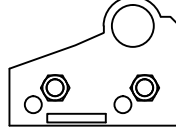
WALL FORMWORK

COLUMN H20 OR ALUM BEAM WALER SYSTEM

ITEM CODE NO.	ITEM DESCRIPTION	SKETCH	KG./ UNIT
40026	BEAM CLAMP		1.20
40027	LIFTING BRACKET		6.20
40028	TOP SCAFFOLD BRACKET		12.00
40029	CONNECTING PIN SET		0.61
40030	WING NUT 15.0		0.31
40031	SUPER PLATE 15.0		1.10

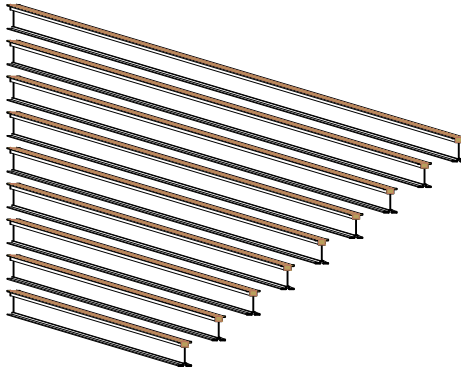
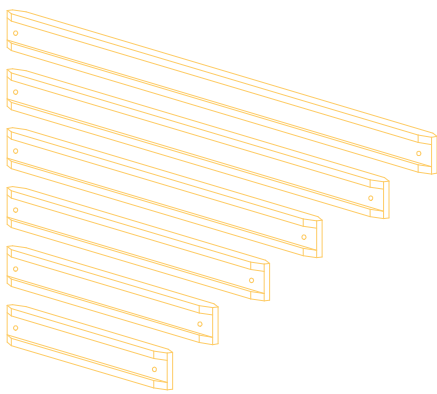
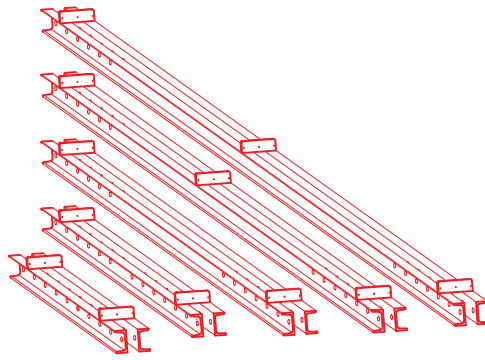
WALL FORMWORK

COLUMN H20 OR ALUM BEAM WALER SYSTEM

ITEM CODE NO.	ITEM DESCRIPTION	SKETCH	KG./ UNIT
40032	FLANGE CLAMP H-20		0.90
40033 40034 40035 40036 40037 40038	TIEROD 15.0 1.00m TIEROD 15.0 2.00m TIEROD 15.0 3.00m TIEROD 15.0 4.00m TIEROD 15.0 5.00m TIEROD 15.0 6.00m		1.40 2.90 4.30 5.70 7.20 8.60
40039	UNIVERSAL ANGLE TIE BRACKET		8.10

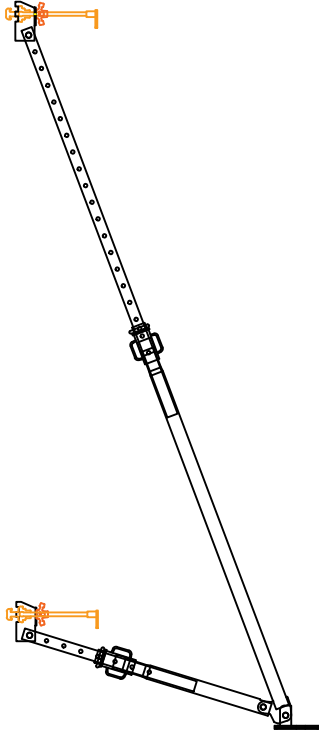


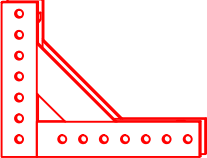
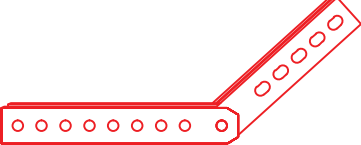
WALL FORMWORK

DOUBLE SIDED WALL H20 OR ALUM BEAM WALER SYSTEM

ITEM CODE NO.	ITEM DESCRIPTION	SKETCH	KG./ UNIT
20001	ALUMINUM BEAM 6.00m		—
20002	ALUMINUM BEAM 5.00m		—
20003	ALUMINUM BEAM 4.80m		—
20004	ALUMINUM BEAM 4.50m		18.45
20005	ALUMINUM BEAM 4.00m		16.40
20006	ALUMINUM BEAM 3.50m		14.35
20007	ALUMINUM BEAM 3.00m		12.60
20008	ALUMINUM BEAM 2.50m		10.25
20009	ALUMINUM BEAM 2.00m		8.20
20011	ALUMINUM BEAM 1.50m		6.15
20012	ALUMINUM BEAM 1.00m		4.10
20020	H-20 BEAM 5.90m		
20021	H-20 BEAM 4.90m	22.00	
20022	H-20 BEAM 4.50m	20.25	
20023	H-20 BEAM 3.90m	17.55	
20024	H-20 BEAM 3.60m	16.20	
20025	H-20 BEAM 3.30m	14.85	
20026	H-20 BEAM 2.90m	13.00	
20027	H-20 BEAM 2.65m	11.92	
20028	H-20 BEAM 2.45m	11.00	
20029	H-20 BEAM 2.00m	9.00	
20030	H-20 BEAM 1.80m	8.10	
20031	H-20 BEAM 1.50m	6.75	
20032	H-20 BEAM 1.00m	4.50	
40001	STEEL WALER 100-6.00m		118.00
40002	STEEL WALER 100-5.50m		112.40
40003	STEEL WALER 100-5.00m		102.00
40004	STEEL WALER 100-4.50m		89.10
40005	STEEL WALER 100-4.00m		79.40
40006	STEEL WALER 100-3.50m		68.40
40007	STEEL WALER 100-3.00m		60.20
40008	STEEL WALER 100-2.75m		54.20
40009	STEEL WALER 100-2.50m		48.70
40010	STEEL WALER 100-2.25m		44.20
40011	STEEL WALER 100-2.00m		38.90
40012	STEEL WALER 100-1.75m		35.00
40013	STEEL WALER 100-1.50m		29.70
40014	STEEL WALER 100-1.25m		24.70
40015	STEEL WALER 100-1.00m		19.60
40016	STEEL WALER 100-0.75m		14.90
40017	STEEL WALER 100-1.00m		10.20

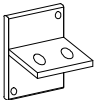
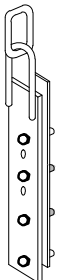
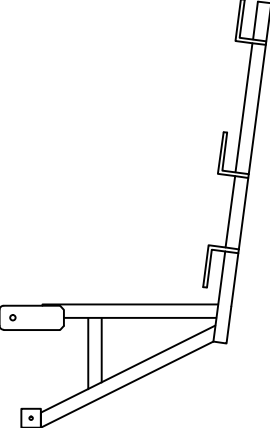
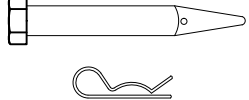
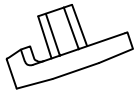
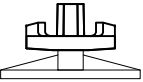
WALL FORMWORK

DOUBLE SIDED WALL H20 OR ALUM BEAM WALER SYSTEM

ITEM CODE NO.	ITEM DESCRIPTION	SKETCH	KG./ UNIT
40020 40021	PUSH-PULL STRUT 3.40m PUSH-PULL STRUT 5.50m	 <p>The sketch shows two diagonal push-pull struts. Each strut consists of a long, perforated metal tube with a locking mechanism in the middle. The top ends are fitted with orange-colored pins or connectors. The bottom ends are shown with different attachment points, one being a simple hook and the other a more complex bracket.</p>	30.45 41.40
40022	WALER ELEMENT CONNECTOR	 <p>A short, rectangular metal connector with four circular holes along its length, used to join waler elements.</p>	6.60
40023	ADJUSTABLE WALER CONNECTOR	 <p>A long, rectangular metal connector with many small circular holes along its length, allowing for adjustable spacing between waler elements.</p>	21.50
40024	CORNER CONNECTING PLATE 50/90	 <p>An L-shaped metal plate with circular holes along both arms, used to connect waler elements at a 50-degree or 90-degree angle.</p>	13.80
40025	SWIVEL JOINT PLATE	 <p>A metal plate with a swivel joint at one end and a series of circular holes along its length, used to connect waler elements at an angle.</p>	21.50

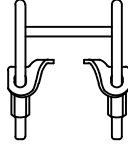
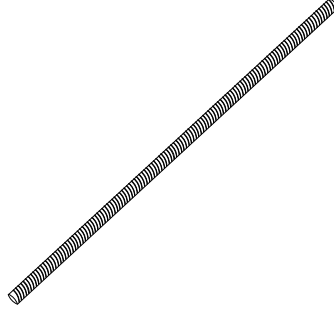
WALL FORMWORK

DOUBLE SIDED WALL H20 OR ALUM BEAM WALER SYSTEM

ITEM CODE NO.	ITEM DESCRIPTION	SKETCH	KG./ UNIT
40026	BEAM CLAMP		1.20
40027	LIFTING BRACKET		6.20
40028	TOP SCAFFOLD BRACKET		12.00
40029	CONNECTING PIN SET		0.61
40030	WING NUT 15.0		0.31
40031	SUPER PLATE 15.0		1.10

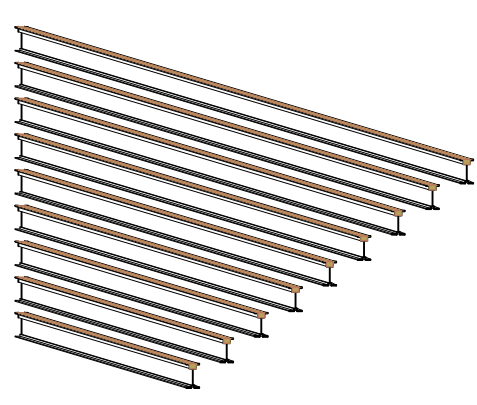
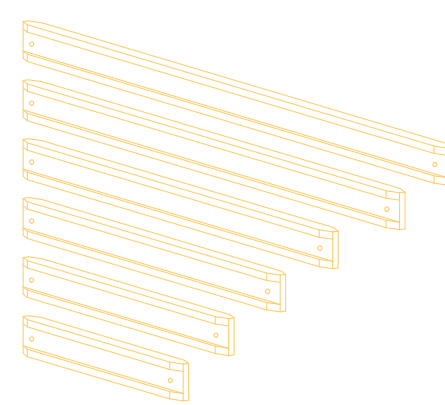
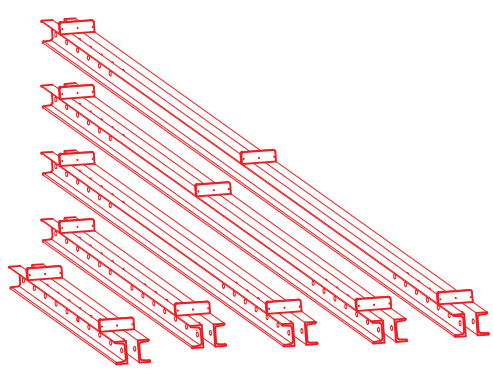
WALL FORMWORK

DOUBLE SIDED WALL H20 OR ALUM BEAM WALER SYSTEM

ITEM CODE NO.	ITEM DESCRIPTION	SKETCH	KG./ UNIT
40032	FLANGE CLAMP H-20		0.90
40033	TIEROD 15.0 1.00m		1.40
40034	TIEROD 15.0 2.00m		2.90
40035	TIEROD 15.0 3.00m		4.30
40036	TIEROD 15.0 4.00m		5.70
40037	TIEROD 15.0 5.00m		7.20
40038	TIEROD 15.0 6.00m		8.60

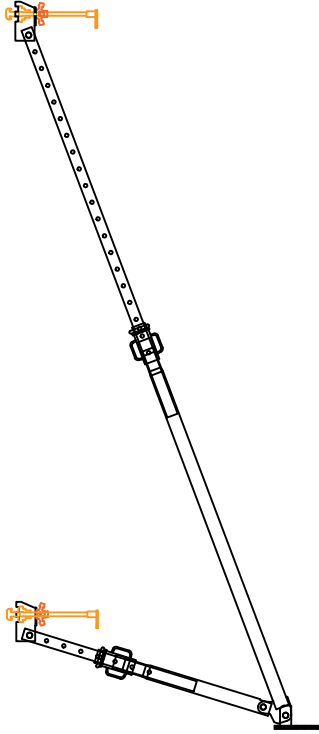


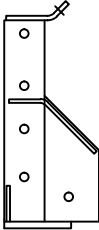
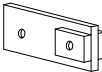
WALL FORMWORK

SINGLE SIDED WALL H2O OR ALUM BEAM WALER SYSTEM

ITEM CODE NO.	ITEM DESCRIPTION	SKETCH	KG./ UNIT
20001	ALUMINUM BEAM 6.00m		—
20002	ALUMINUM BEAM 5.00m		—
20003	ALUMINUM BEAM 4.80m		—
20004	ALUMINUM BEAM 4.50m		18.45
20005	ALUMINUM BEAM 4.00m		16.40
20006	ALUMINUM BEAM 3.50m		14.35
20007	ALUMINUM BEAM 3.00m		12.60
20008	ALUMINUM BEAM 2.50m		10.25
20009	ALUMINUM BEAM 2.00m		8.20
20011	ALUMINUM BEAM 1.50m		6.15
20012	ALUMINUM BEAM 1.00m		4.10
20020	H-20 BEAM 5.90m		
20021	H-20 BEAM 4.90m	22.00	
20022	H-20 BEAM 4.50m	20.25	
20023	H-20 BEAM 3.90m	17.55	
20024	H-20 BEAM 3.60m	16.20	
20025	H-20 BEAM 3.30m	14.85	
20026	H-20 BEAM 2.90m	13.00	
20027	H-20 BEAM 2.65m	11.92	
20028	H-20 BEAM 2.45m	11.00	
20029	H-20 BEAM 2.00m	9.00	
20030	H-20 BEAM 1.80m	8.10	
20031	H-20 BEAM 1.50m	6.75	
20032	H-20 BEAM 1.00m	4.50	
40001	STEEL WALER 100-6.00m		118.00
40002	STEEL WALER 100-5.50m		112.40
40003	STEEL WALER 100-5.00m		102.00
40004	STEEL WALER 100-4.50m		89.10
40005	STEEL WALER 100-4.00m		79.40
40006	STEEL WALER 100-3.50m		68.40
40007	STEEL WALER 100-3.00m		60.20
40008	STEEL WALER 100-2.75m		54.20
40009	STEEL WALER 100-2.50m		48.70
40010	STEEL WALER 100-2.25m		44.20
40011	STEEL WALER 100-2.00m		38.90
40012	STEEL WALER 100-1.75m		35.00
40013	STEEL WALER 100-1.50m		29.70
40014	STEEL WALER 100-1.25m		24.70
40015	STEEL WALER 100-1.00m		19.60
40016	STEEL WALER 100-0.75m		14.90
40017	STEEL WALER 100-0.50m		10.20

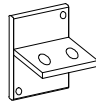
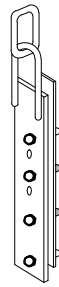
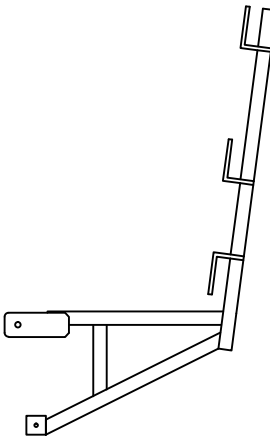
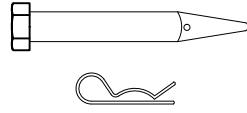
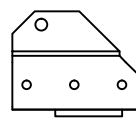
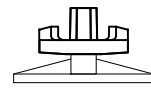
WALL FORMWORK

SINGLE SIDED WALL H2O OR ALUM BEAM WALER SYSTEM

ITEM CODE NO.	ITEM DESCRIPTION	SKETCH	KG./ UNIT
40020 40021	PUSH-PULL STRUT 3.40m PUSH-PULL STRUT 5.50m		30.45 41.40
40022	WALER ELEMENT CONNECTOR		6.60
40023	ADJUSTABLE WALER CONNECTOR		21.50
40040	ANCHORING SHOE		11.75
40041	TENSION PLATE		2.50

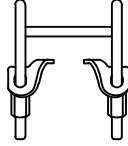
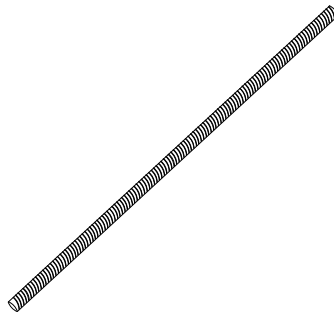
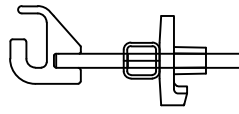
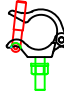

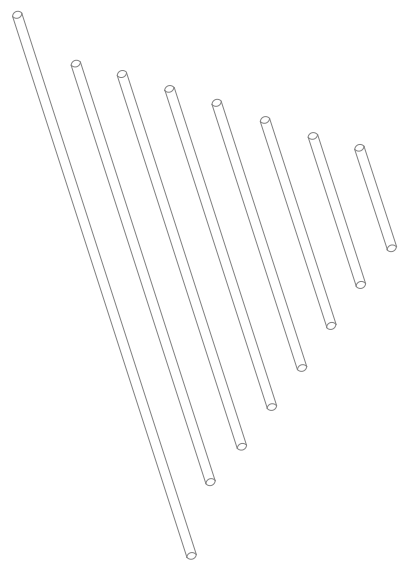
WALL FORMWORK

SINGLE SIDED WALL H20 OR ALUM BEAM WALER SYSTEM

ITEM CODE NO.	ITEM DESCRIPTION	SKETCH	KG./ UNIT
40026	BEAM CLAMP		1.20
40027	LIFTING BRACKET		6.20
40028	TOP SCAFFOLD BRACKET		12.00
40029	CONNECTING PIN SET		0.61
40042	SUPPORTING SHOE		9.35
40031	SUPER PLATE 15.0		1.10

WALL FORMWORK

SINGLE SIDED WALL H2O OR ALUM BEAM WALER SYSTEM

ITEM CODE NO.	ITEM DESCRIPTION	SKETCH	KG./ UNIT
40032	FLANGE CLAMP H-20		0.90
40033	TIEROD 15.0 1.00m		1.40
40034	TIEROD 15.0 2.00m		2.90
40035	TIEROD 15.0 3.00m		4.30
40036	TIEROD 15.0 4.00m		5.70
40037	TIEROD 15.0 5.00m		7.20
40038	TIEROD 15.0 6.00m		8.60
40043	WALING TO BRACKET HOLDER		2.78
40044	SCREW ON COUPLER 48mm 50		0.60
10036	COUPLER-B		1.00
10038	BRACING TUBE 6.00m		27.00
10039	BRACING TUBE 4.00m		18.00
10040	BRACING TUBE 3.50m		15.75
10041	BRACING TUBE 3.00m		13.50
10042	BRACING TUBE 2.50m		11.25
10043	BRACING TUBE 2.00m		9.00
10044	BRACING TUBE 1.50m		6.75
10045	BRACING TUBE 1.00m		4.50