



CONDOR

FORMWORK, SCAFFOLDING



DESARCH™

ALUPLUS SLAB FORMWORK OFFICIAL DISTRIBUTOR

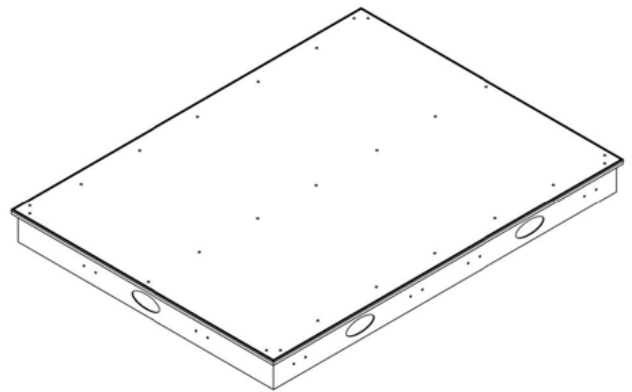
THE SYSTEM

Aluplus is the modular, versatile and lightweight formwork system with an aluminum frame that allows you to increase construction productivity by reducing timing for the casting on site of slabs for the construction of multi-storey structures in the industrial, commercial and residential sectors.

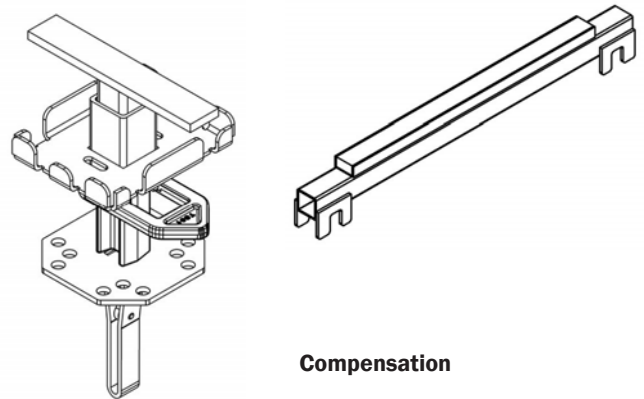
Features of the system are:

- The low weight of the high-strength aluminum panels (14,67 kg/sqm with 112,5x150cm panel size) ensures easy and practical handling;
- Rational and systematic assembly reduces errors and arming times;
- Practical hooking system that allows a quick and safe installation and removal of the Aluplus drop head from the prop;
- The perimeter or edge compensations and those around pillars are easy to realise through four compensation beams.

MAIN COMPONENTS



Panel

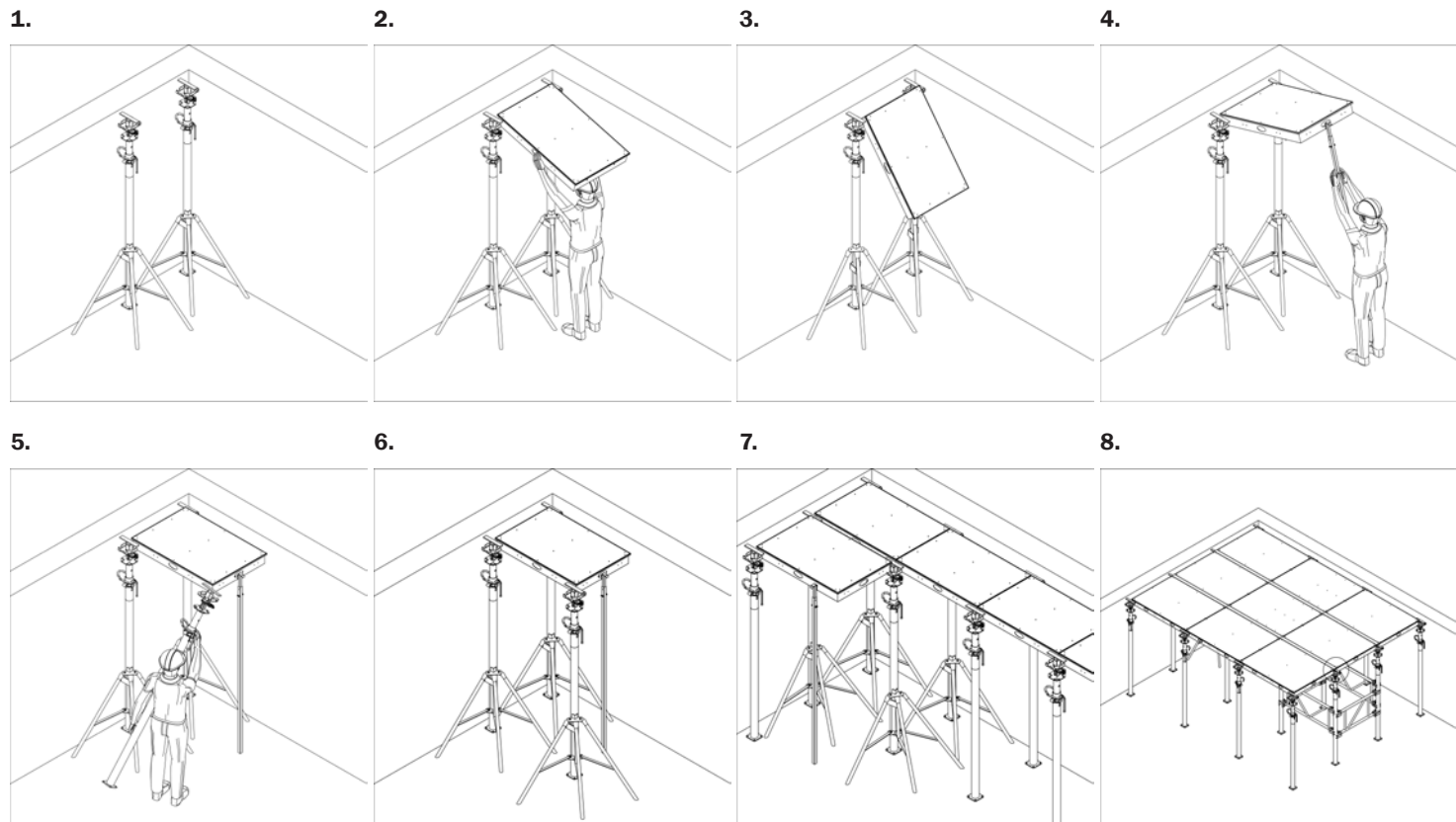


Drop-head

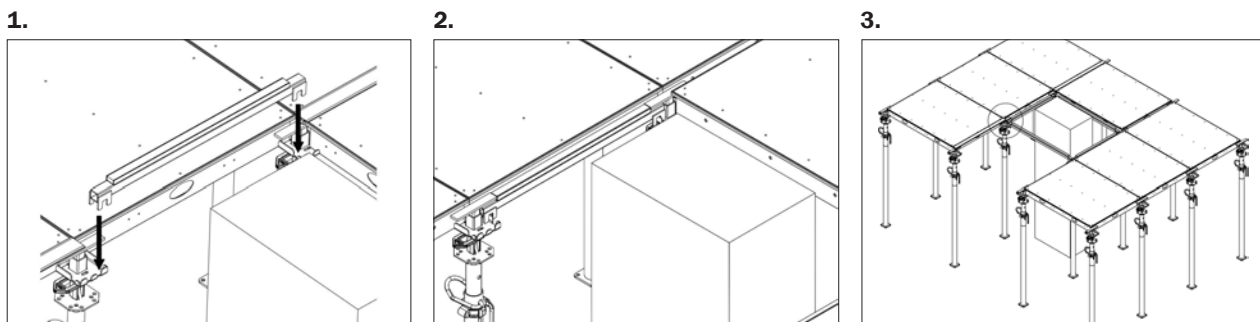
Compensation



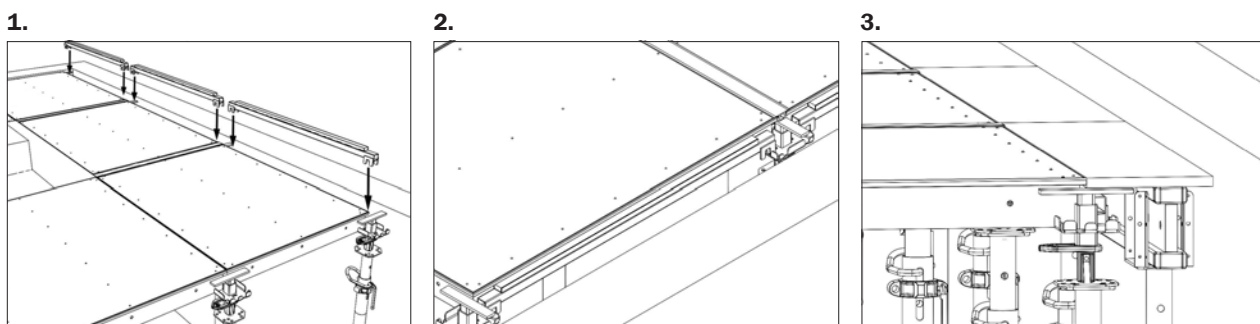
ASSEMBLY PHASES



COMPENSATIONS



Compensations around a column



Perimeter compensations



Condor S.p.a.
Zona Industriale,
Conza della Campania (AV)
83040 - ITALY
T. 0827 39512
www.condorspa.com
info@condorspa.com



DESARCHTM

Desarch BUILDING CONTRACTING LLC
Dubai -Abu Dhabi -Sharjah -Ajman